



Macintosh SE

---





Basics

---

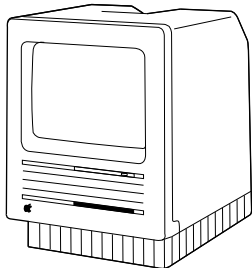
Macintosh SE





## Overview

This manual contains complete repair procedures for the Macintosh SE, shown at left.



**Figure: Macintosh SE**





## Specifications

---

Macintosh SE





## Processor

### CPU

Motorola 68000 microprocessor

7.83 MHz

32-bit architecture





## Memory

<b>RAM</b>	1 or 2 MB, expandable to 4 MB
<b>ROM</b>	256K
<b>PRAM</b>	256 bytes of memory CMOS custom chip with seven-year lithium battery





## Disk Storage

### **Floppy Drive**

1.4 MB floppy drive

Optional second internal and external floppy drive

### **Hard Drive**

Optional 20 or 40 MB hard drive

Optional external hard drive





## I/O Interfaces

<b>Expansion</b>	Macintosh SE expansion slot; uses a 96-pin Euro-DIN connector
<b>SCSI</b>	Uses a 50-pin connector (internal) and a DB-25 connector (external)
<b>Apple Desktop Bus</b>	Two Apple Desktop Bus (ADB) connectors for communication with keyboard, mouse, and other input devices
<b>Serial</b>	Two RS-232/RS-422 serial ports; 230.4 Kbaud maximum; mini DIN-8 connectors
<b>Sound</b>	For external audio amplifier (standard miniature)







## I/O Devices

### **Keyboards**

Apple Keyboard: 81 keys, including numeric keypad and cursor keys

Apple Extended Keyboard: 105 keys, including 15 function keys, separate cursor pad, and 10-key numeric keypad

### **Mouse**

Mechanical tracking; optical shaft at 3.94 pulses per mm (100 pulses per in.) of travel; ADB connector





## Sound and Video

### **Sound Generator**

Four-voice sound with 8-bit digital/analog conversion using 22-kHz sampling rate

### **Video Display**

9-in. (diagonal) screen; high-resolution, 512 by 342 pixel, bit-mapped display





## Electrical

<b>Line Voltage</b>	90-140 VAC; 170-270 VAC
<b>Frequency</b>	47-63 Hz
<b>Maximum Power</b>	100 W





## Physical

### **Dimensions**

Height: 13.6 in. (34.5 cm)

Width: 9.6 in. (24.4 cm)

Depth: 10.9 in. (27.6 cm)

### **Weight**

17-21 lb. (7.7-9.5 kg)

Weight varies depending on whether hard drive or second floppy drive is installed





# Troubleshooting

Macintosh SE





## General

The Symptom Charts included in this chapter will help you diagnose specific symptoms related to your product. Because cures are listed on the charts in the order of most likely solution, try the first cure first. Verify whether or not the product continues to exhibit the symptom. If the symptom persists, try the next cure. (Note: If you have replaced a module, reinstall the original module before you proceed to the next cure.)

If you are not sure what the problem is, or if the Symptom Charts do not resolve the problem, refer to the Flowchart for the product family.

For additional assistance, contact Apple Technical Support.





# Symptom Charts

## Video

Screen is dark; audio and drive operate

- 1 Turn brightness control clockwise.
- 2 Check video cable connections.
- 3 Replace analog board.
- 4 Replace video board.
- 5 Replace logic board. Retain customer's SIMMs.
- 6 Replace CRT.

Screen is bright and audio is present, but no video information is visible

- 1 Replace analog board.
- 2 Replace video board.
- 3 Replace logic board. Retain customer's SIMMs.





## Video (Continued)

Screen is completely dark and fan is not running	1	Replace power supply.
	2	Replace analog board.
Single vertical line is displayed	1	Replace analog board.
	2	Replace video board.
	3	Replace logic board. Retain customer's SIMMs.
	4	Replace CRT.
Single horizontal line is displayed	1	Replace analog board.
	2	Replace video board.
	3	Replace logic board. Retain customer's SIMMs.
	4	Replace CRT.







## Video (Continued)

Vertical bars or stripes are displayed	1	Replace logic board. Retain customer's SIMMs.
	2	Replace analog board.
Horizontal bars or stripes are displayed	1	Replace logic board. Retain customer's SIMMs.
	2	Replace analog board.
White dot is displayed in center of screen	1	Verify that yoke cable is connected.
	2	Replace analog board.
	3	Replace CRT.
Screen jitters at top left and/or lower right		Replace analog board.





## Peripheral

Cursor does not move

- 1 Check mouse connection.
- 2 Inspect inside of mouse for buildup of dirt and other contaminants. Clean mouse if necessary.
- 3 If mouse was connected to keyboard, connect it to ADB port instead. If mouse works, replace keyboard.
- 4 If mouse does not work in any ADB port, replace mouse.
- 5 Replace logic board. Retain customer's SIMMs.

Cursor moves, but clicking mouse button has no effect

- 1 Replace mouse.
- 2 Replace logic board. Retain customer's SIMMs.

No response to any key on keyboard

- 1 Check keyboard connection to ADB port.
- 2 Replace keyboard cable.
- 3 Replace keyboard.
- 4 Replace logic board. Retain customer's SIMMs.





## Peripheral (Continued)

Cannot double-click to open application, disk, or server

- 1 Remove any multiple system files on hard drive.
- 2 Clear parameter RAM. (System 7: Hold down <Command> <Option> <P> <R> during startup but before “Welcome to Macintosh” appears. System 6: Hold down <Command> <Option> <Shift> keys and select Control Panel from Apple pull-down menu.) Reset mouse controls.
- 3 If mouse was connected to keyboard, connect it to ADB port instead. If mouse works, replace keyboard.
- 4 If mouse does not work in any ADB port, replace mouse.
- 5 Replace logic board. Retain customer’s SIMMs.





## Peripheral (Continued)

Known-good  
LaserWriter does not  
print

- 1 Make sure that Chooser and Control Panel are set correctly.
- 2 Make sure correct version of system software is being used.  
Make sure software is known-good.
- 3 Reset PRAM.
- 4 Refer to Networks and Communications manual.

Known-good  
ImageWriter or  
ImageWriter II does  
not print

- 1 Make sure that Chooser and Control Panel are set correctly.
- 2 Make sure correct version of system software is being used.  
Make sure software is known-good.
- 3 Reset PRAM.
- 4 Replace printer interface cable.
- 5 Replace logic board. Retain customer's SIMMs.





## Floppy Drive

Audio and video are present, but one internal floppy drive does not operate

- 1 Replace bad disk.
- 2 Replace floppy drive data cable.
- 3 Replace internal floppy drive.
- 4 Replace logic board. Retain customer's SIMMs.

External floppy drive does not operate

- 1 Replace bad disk.
- 2 Make sure external floppy drive is on right side of Macintosh SE/30.
- 3 Replace external drive.
- 4 Replace logic board. Retain customer's SIMMs.

Disk ejects; display shows icon with blinking "X"

- 1 Replace disk with known-good system disk.
- 2 Replace floppy drive.
- 3 Replace logic board. Retain customer's SIMMs.





## Floppy Drive (Continued)

Unable to insert disk  
all the way

- 1 Insert opened paper clip into hole beside drive.
- 2 Switch off system power and hold mouse button down while switching power back on (to complete eject cycle).
- 3 Replace floppy drive.

Internal floppy drive  
runs continuously

- 1 Replace bad disk.
- 2 Replace floppy drive.
- 3 Replace logic board. Retain customer's SIMMs.
- 4 Replace floppy drive data cable.

Does not eject disk

- 1 Insert opened paper clip into hole beside drive.
- 2 Switch off system and hold mouse button down while switching system back on (to complete eject cycle).
- 3 Replace floppy drive.





## Floppy Drive (Continued)

Audio and video are present, but neither internal floppy drive operates

- 1 Replace bad disk.
- 2 Replace logic board. Retain customer's SIMMs.





## Hard Drive

Internal or external hard drive does not operate

- 1 Verify that SCSI loopback card is not attached.
- 2 Replace hard drive data cable.
- 3 Replace hard drive.
- 4 Replace logic board. Retain customer's SIMMs.

Works with internal or external SCSI device but not with both

- 1 Verify SCSI device switch setting on external device.
- 2 Replace terminator on external device.
- 3 Verify that terminator is installed on internal hard drive.
- 4 Replace hard drive select cable.







## Miscellaneous

Clicking, chirping,  
or thumping sound

- 1 Verify analog board cable is connected at J12 on logic board.
- 2 Replace power supply.
- 3 Replace analog board.
- 4 Replace logic board. Retain customer's SIMMs.

Smoke/odor

- 1 Replace power supply.
- 2 Replace analog board.

No video, no audio, and  
no drive operation

- 1 Connect power cord.
- 2 Switch power on.
- 3 Replace power cord.
- 4 Replace power supply.
- 5 Replace analog board.
- 6 Replace logic board. Retain customer's SIMMs.





## Miscellaneous (Continued)

- |  |   |
|--|---|
| “Sad Macintosh” icon   | <ol style="list-style-type: none"><li data-bbox="443 215 786 249">1 Replace bad disk.</li><li data-bbox="443 262 1392 346">2 Replace SIMM(s) if code matches any of those given in “Isolating a Faulty SIMM” in Hardware/Memory.</li><li data-bbox="443 358 1455 442">3 Verify that three-pin jumper on logic board is configured correctly for system RAM. See Hardware/Memory.</li><li data-bbox="443 454 1268 487">4 Replace logic board. Retain customer’s SIMMs.</li></ol> |
| “Sad Macintosh” icon and black vertical line are displayed; screeching sound | <ol style="list-style-type: none"><li data-bbox="443 547 1455 630">1 Verify that three-pin jumper on logic board is configured correctly for system RAM. See Hardware/Memory.</li><li data-bbox="443 643 1268 677">2 Replace logic board. Retain customer’s SIMMs.</li></ol>  |



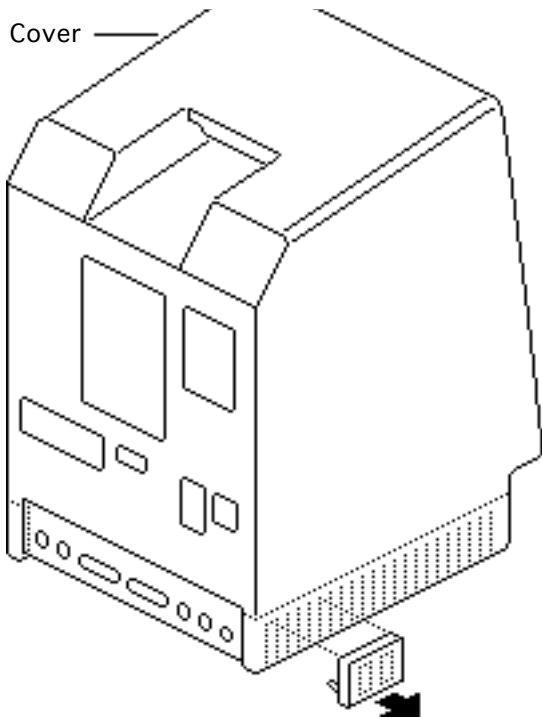


Take Apart  

---

Macintosh SE





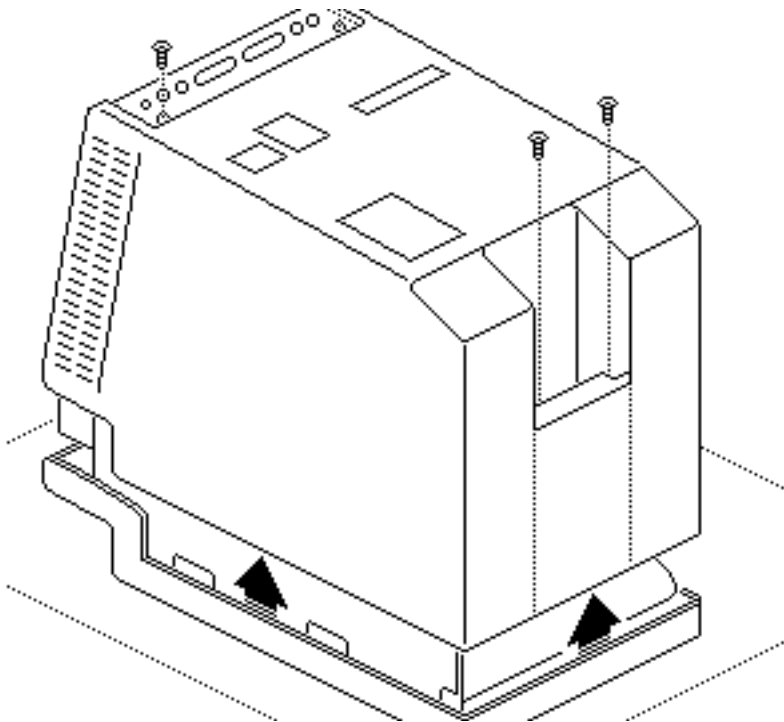
## Cover

No preliminary steps are required before you begin this procedure.

**⚠ Warning:** This product contains high voltage and a high-vacuum picture tube. To prevent serious injury, review CRT safety in Bulletins/Safety.

- 1 Using a small screwdriver, pry off the reset/interrupt switch (if present).





- 2 Using a Torx screwdriver, remove the four case screws and separate the cover from the chassis with a pull-apart tool.
- 3 Carefully lift up the cover and set it aside.
- 4 Remove the paper insulating shroud from the bottom of the computer.

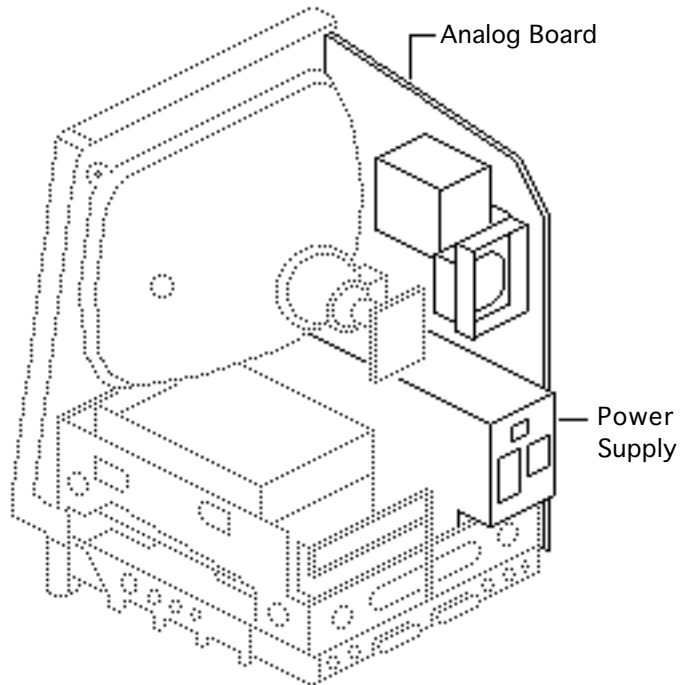




**Replacement Note:**

Reinstall the two black case screws in the bottom of the cover and the two silver-colored case screws in the top of the cover.





## Analog Board & Power Supply

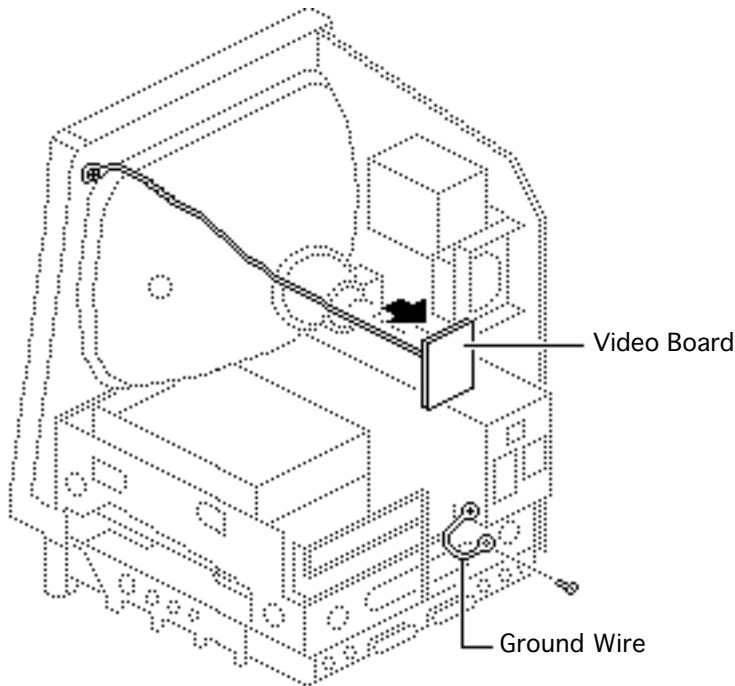
Before you begin,

- Remove the cover
- Discharge the CRT
- Remove the anode cap

**Caution:** Be sure to discharge the CRT to the ground lug. Failure to do so could damage the logic board or the analog board.

**Caution:** Never use a grounding wriststrap until after discharging the CRT.

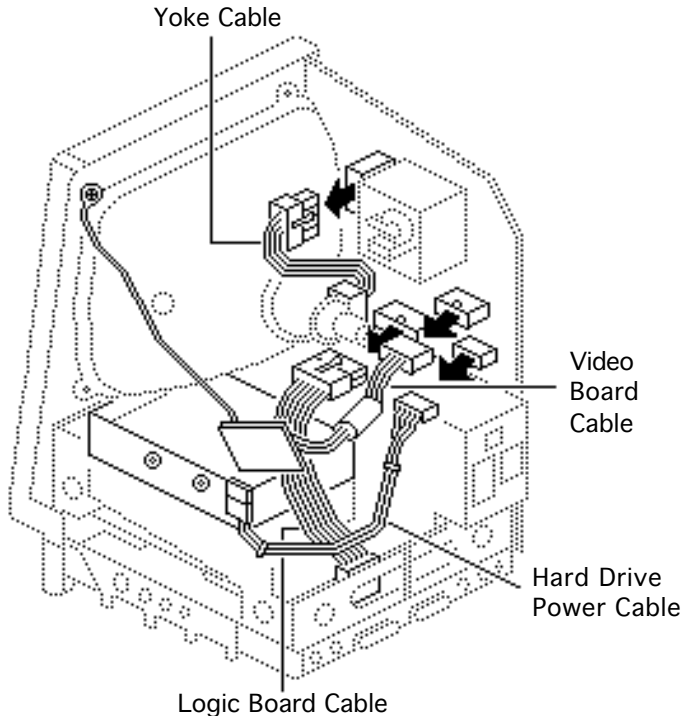




- 1 Carefully pull the video board straight off the neck of the CRT.
- 2 Remove the screw that secures the power supply ground wire to the chassis.

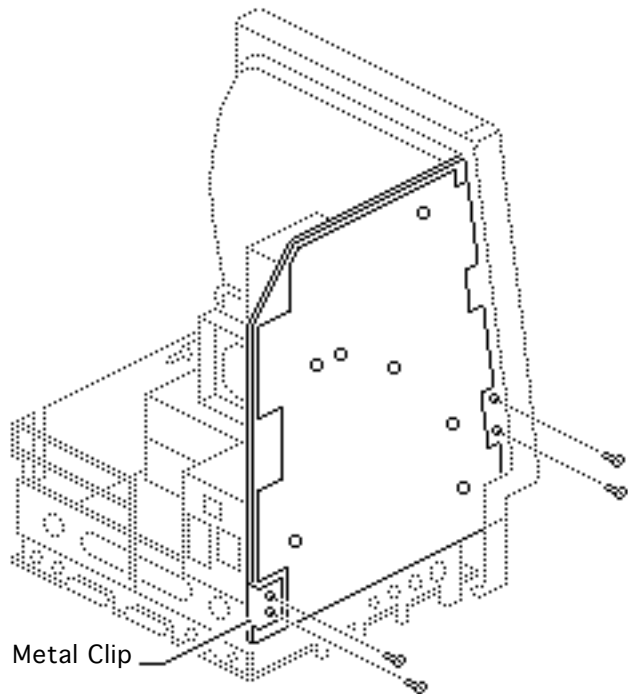






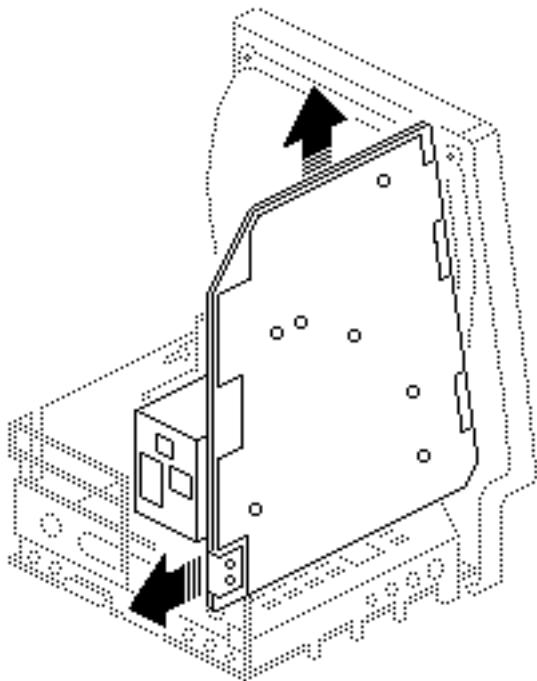
- 3 Disconnect these cable connectors from the analog board:
- Yoke cable (First depress the tab.)
  - Logic board cable
  - Video board cable
  - Hard drive power cable





- 4 Remove the four screws that secure the analog board to the chassis.
- 5 Remove the metal clip from the corner of the board.

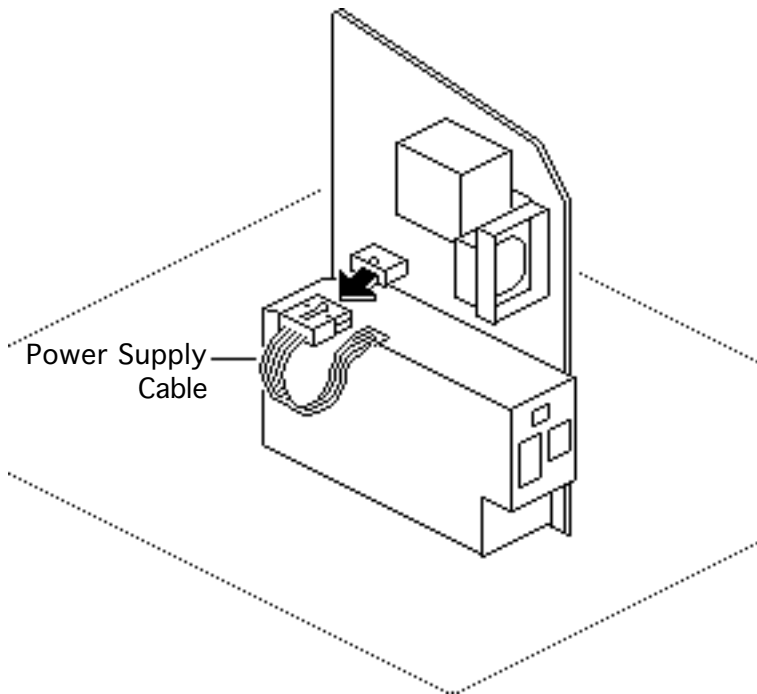




- 6 Caution:** When removing the analog board, be careful not to catch the brightness control knob on the chassis and not to bump the neck of the CRT.

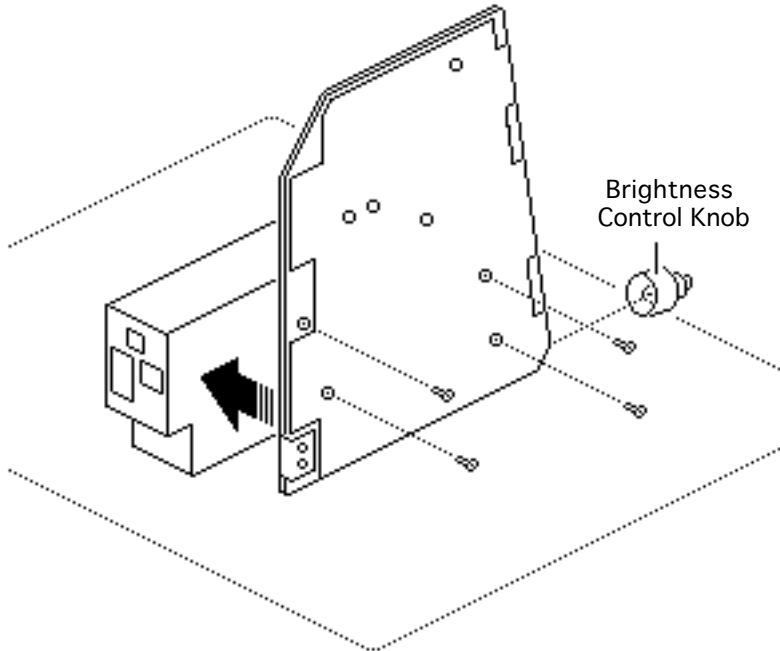
Grasp the analog board by its edges and pull the board up and out of the chassis.





- 7 Place the analog board on a protective pad and disconnect the power supply cable.

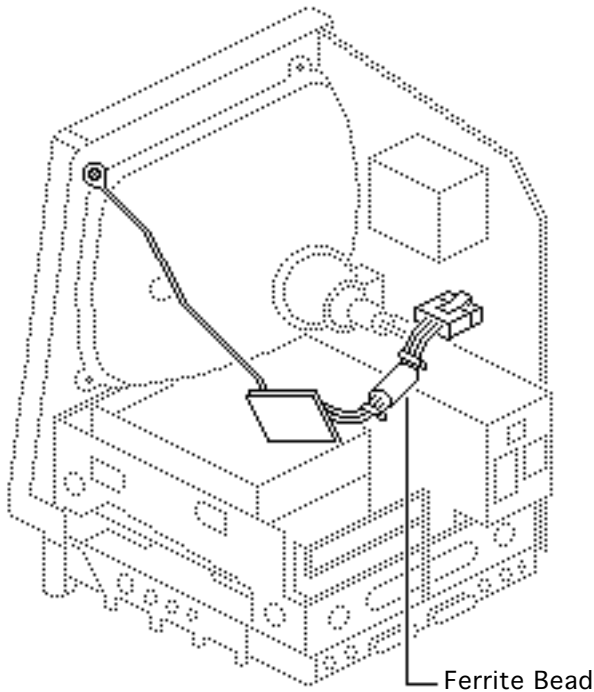




- 8 Remove the four screws and separate the power supply from the analog board.

**Replacement Note:** If you are replacing a defective analog board, remove and keep the brightness control knob.





**Replacement Note:** If you receive a replacement analog board that is packaged with a ferrite bead, and if the customer's video cable does not have a ferrite bead attached, install the packaged ferrite bead on the video cable as shown. Secure the ferrite bead to the cable with a tie-wrap.

**Replacement Note:** If you replace the analog or power supply, perform the video adjustment procedure. See "Video" in Adjustments.





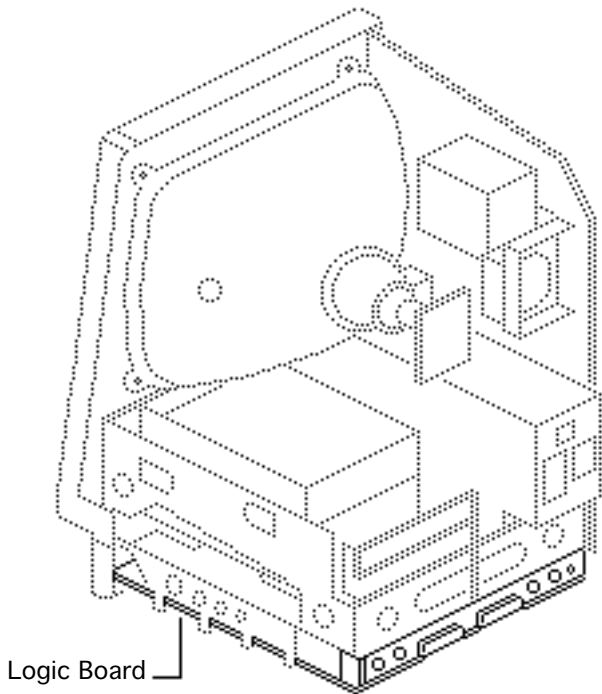
## Logic Board

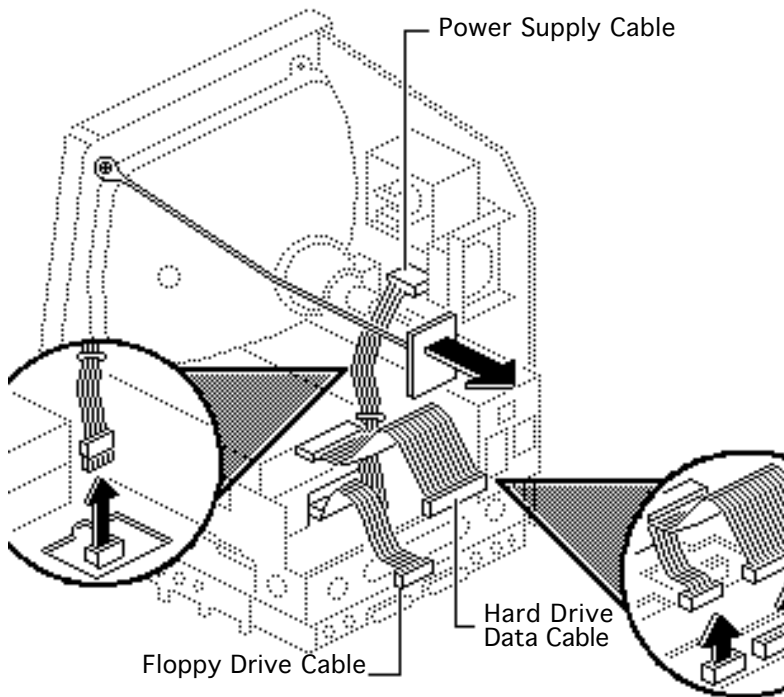
Before you begin,

- Remove the cover
- Discharge the CRT

**Caution:** Be sure to discharge the CRT to the ground lug. Failure to do so could damage the logic board or the analog board.

**Warning:** Never use a grounding wriststrap until after discharging the CRT.



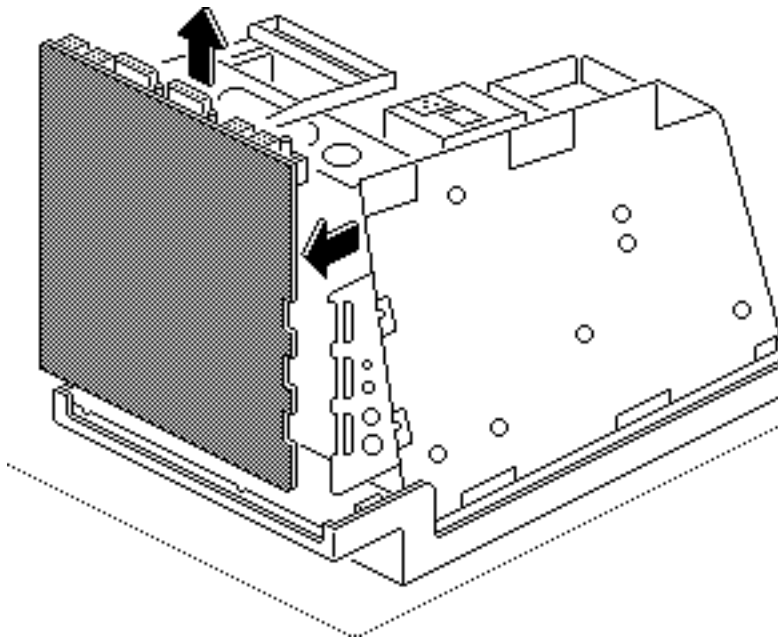


- 1 Carefully pull the video board straight off the neck of the CRT.
- 2 Disconnect these cable connectors from the logic board:
  - Hard drive data cable (if present)
  - Internal floppy drive cable(s)
  - Power supply cable

**Note:** You must first depress the holding clip to remove the power supply cable.

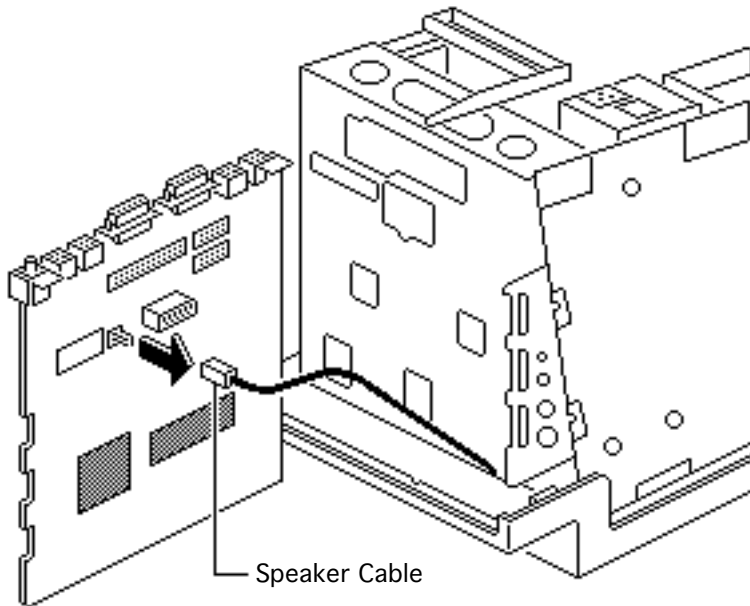






- 3 Slide up the logic board until its tabs are aligned with the notches in the chassis. Swing out the right side of the board and remove it from the chassis.

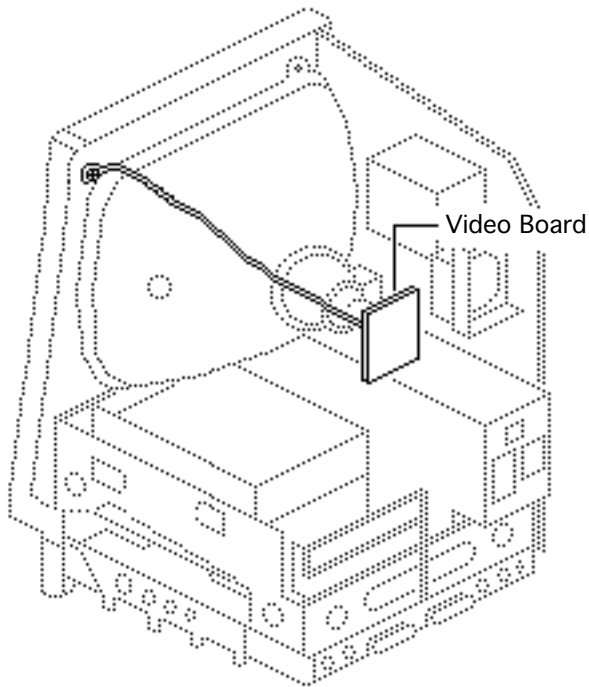




- 4 Disconnect the speaker cable from the logic board.

**Replacement Note:** If you are replacing a defective logic board, you must use an exchange logic board that is configured the same as the customer's original board. See "Identifying SE Logic Boards" in the Additional Procedures chapter for more information.





## Video Board

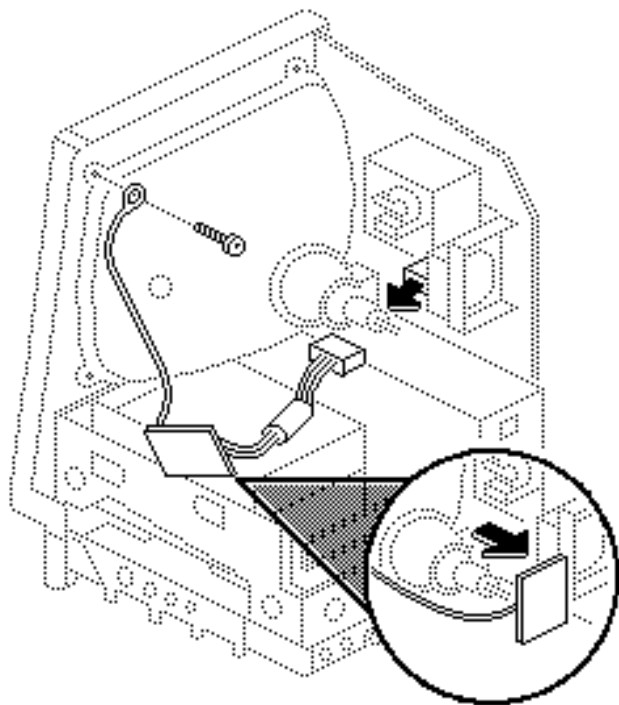
Before you begin,

- Remove the cover
- Discharge the CRT

**Caution:** Be sure to discharge the CRT to the ground lug. Failure to do so could damage the logic board or the analog board.

**Warning:** Never use a grounding wriststrap until after discharging the CRT.





- 1 Carefully pull the video board straight off the neck of the CRT.
- 2 Disconnect the video board connector from the analog board.
- 3 Remove the Torx screw and video ground wire from the upper-left CRT mounting bracket.

**Replacement Note:** If you replace the video board, perform the video adjustment procedure. See “Video” in Adjustments.

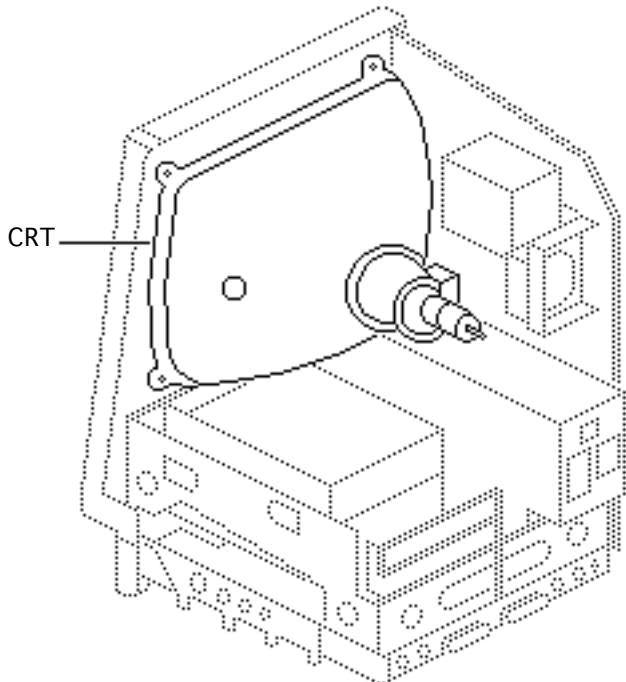




**Replacement Note:**

Replacement video boards are installed vertically on the CRT. The vertically-mounted video board requires using the axial (round) fan.



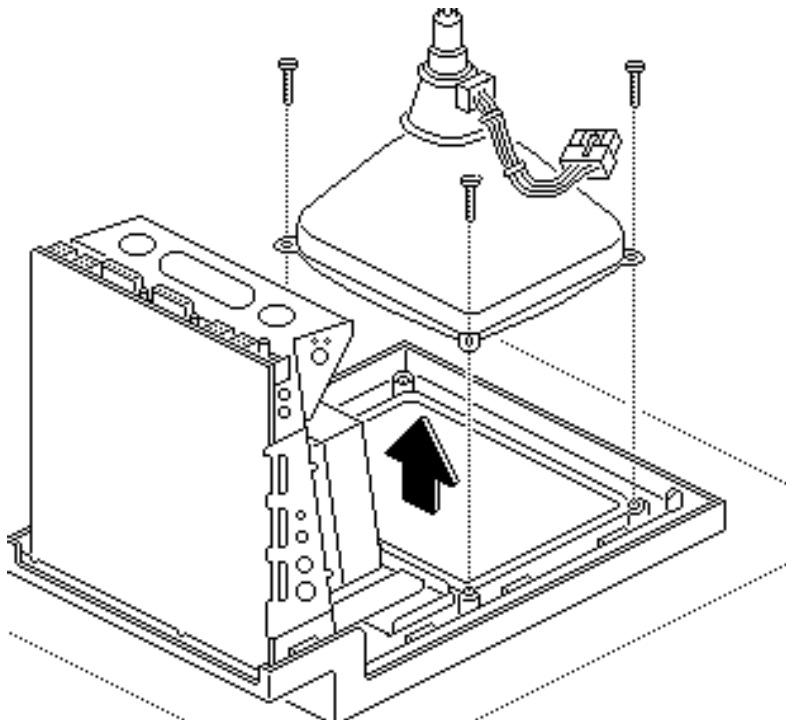


## CRT

Before you begin,

- Remove the cover
- Discharge the CRT
- Remove the anode cap
- Remove the video board
- Remove the analog board (only)





- 1 With the CRT face-down on a protective pad, use a Torx screwdriver to remove the three remaining CRT mounting screws.
- 2 Lift the CRT off the bezel.

**Replacement Note:** If you replace the CRT, perform the video and yoke adjustment procedures. See “Video” and “Yoke” in the Adjustments chapter.

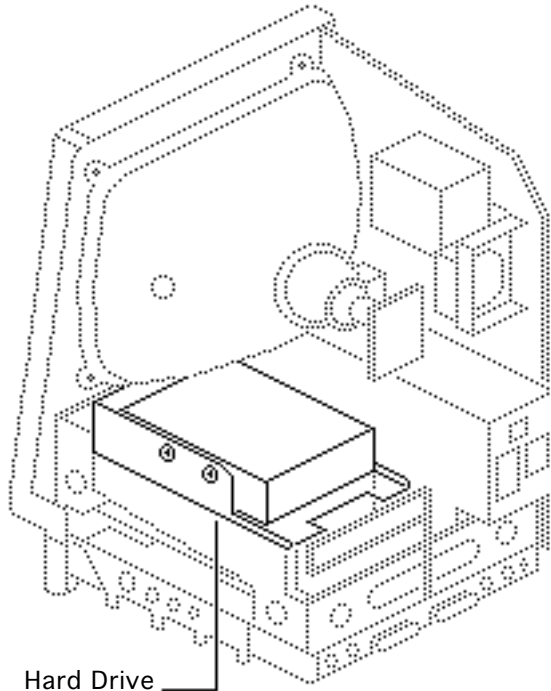




## Hard Drive

Before you begin,

- Remove the cover
- Discharge the CRT
- Remove the video board



Hard Drive

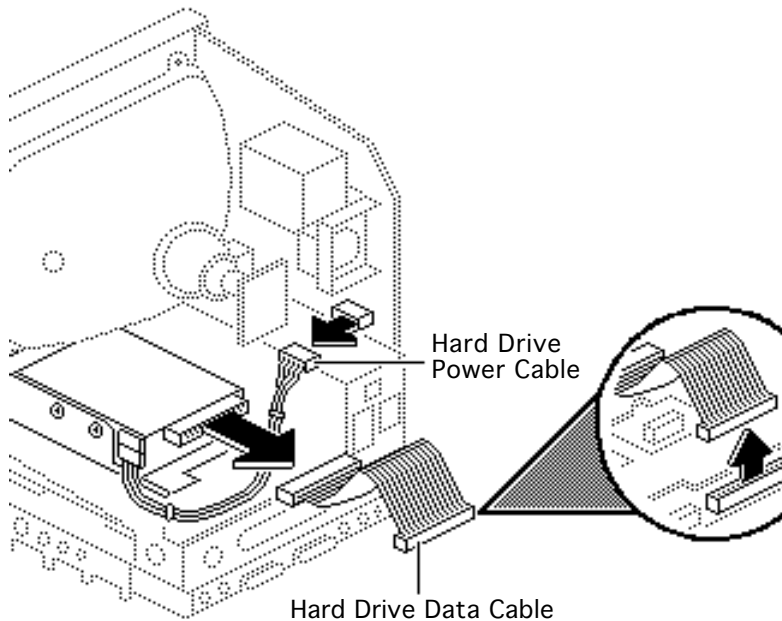


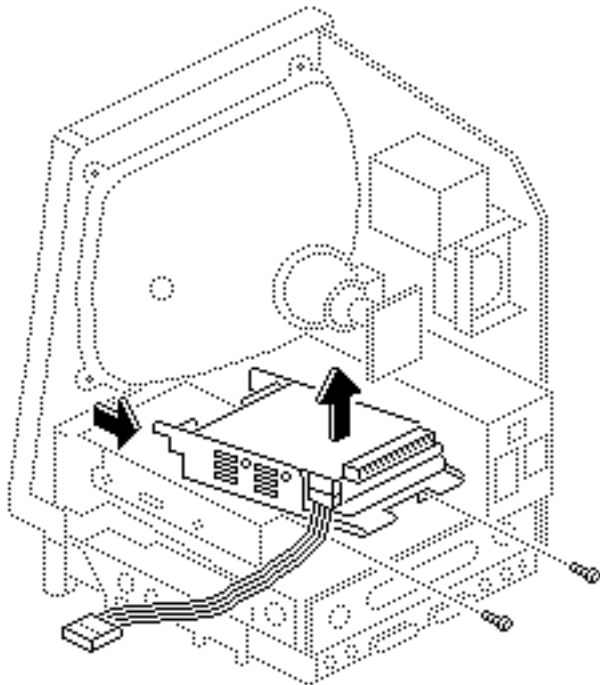




**Warning:** Never use a grounding wriststrap until after discharging the CRT.

- 1 Disconnect the hard drive data cable from the hard drive and the logic board. Keep the cable.
- 2 Disconnect the hard drive power cable from the analog board.

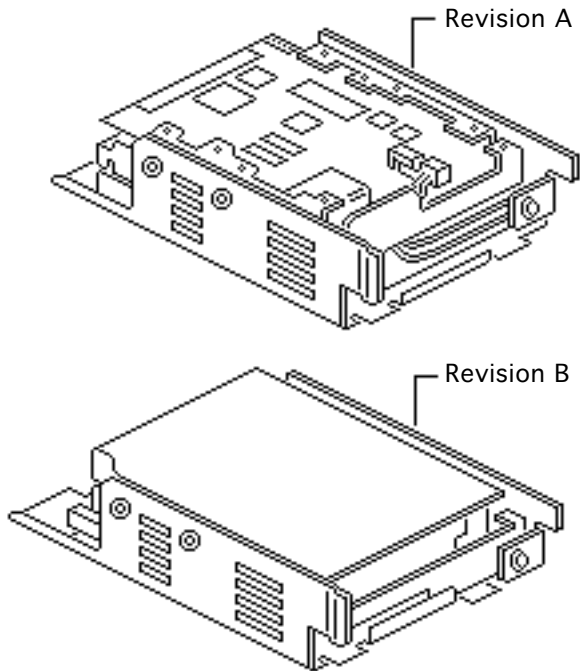




- 3 Remove the two mounting screws and lift out the hard drive with carrier attached.

**Replacement Note:** For information on removing the hard drive from the carrier and returning drives, cables, and carriers to Apple, refer to “Additional Procedures” in the Hard Drives manual.





**Replacement Note:** If you are replacing a defective Hard Disk 20SC, be aware that Apple currently ships Revision A and Revision B versions of this hard drive and each version must be replaced like-for-like. To differentiate between drive versions, check their circuit boards. For Revision A drives, the component side of the board is up; for Revision B drives, the solder side of the board is up. For part numbers, refer to the Service Source parts database.

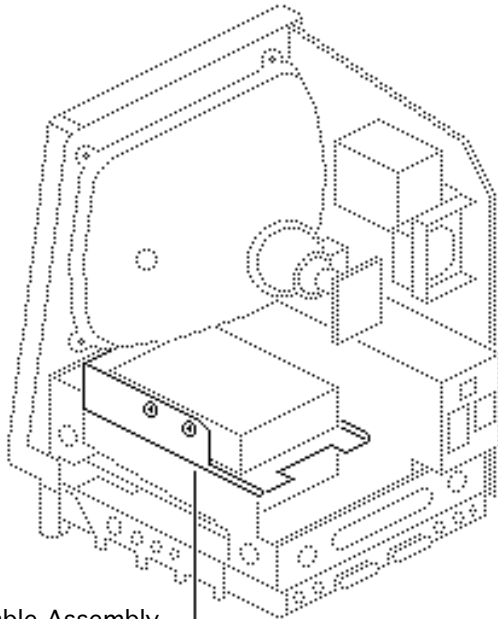




## LED Cable Assembly

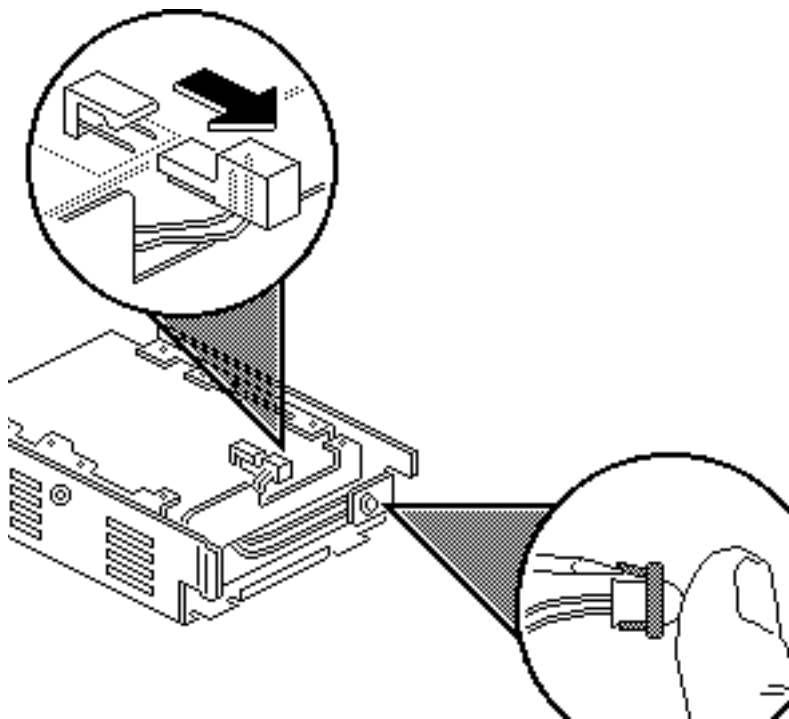
Before you begin,

- Remove the cover
- Discharge the CRT
- Remove the hard drive



LED Cable Assembly





- 1 Disconnect the LED connector from the hard drive.
- 2 Pull open the release tab at the back of the LED and push the LED through the carrier bracket.

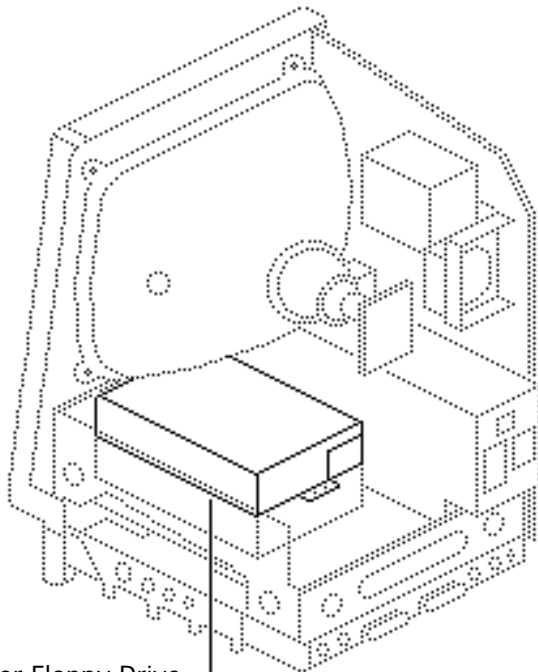




## Upper Floppy Drive

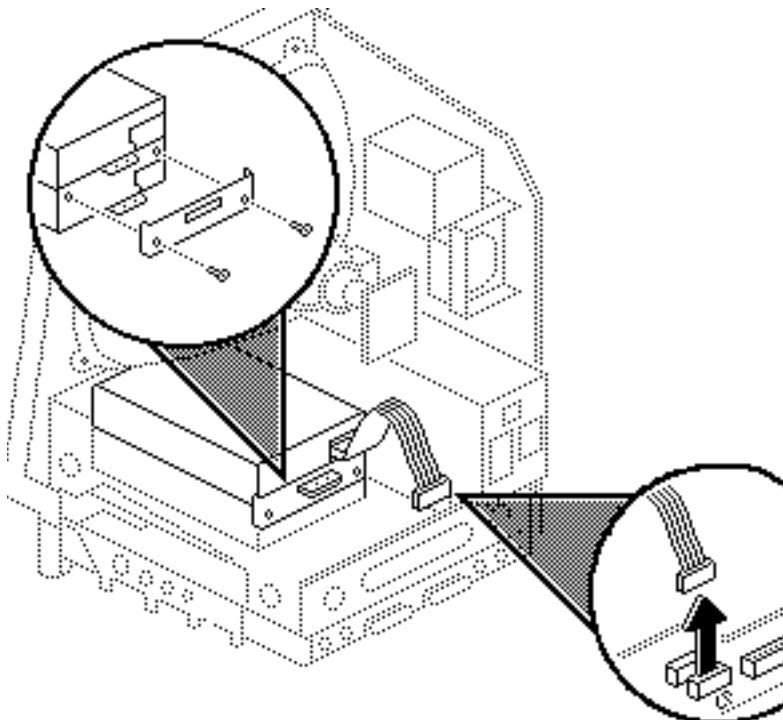
Before you begin,

- Remove the cover
- Discharge the CRT
- Remove the video board



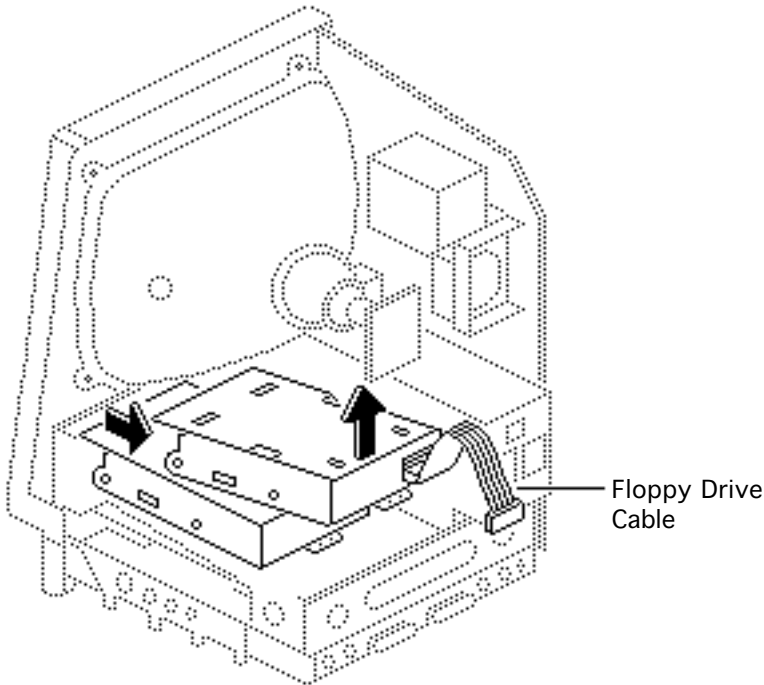
Upper Floppy Drive





- 1 Disconnect the upper floppy drive cable from logic board connector J7.
- 2 Remove two mounting screws and the metal bracket that connects the upper and lower floppy drives.





- 3 Lift and slide out the upper floppy drive. Disconnect and keep the floppy drive cable.

**Replacement Note:** Apple recommends using dust shields on all 1.4 MB floppy drives. All 1.4 MB replacement drives ship with the dust shield installed. If you plan to install a dust shield on an existing 1.4 MB drive, you must first clean the drive (see the Hard Drives manual).



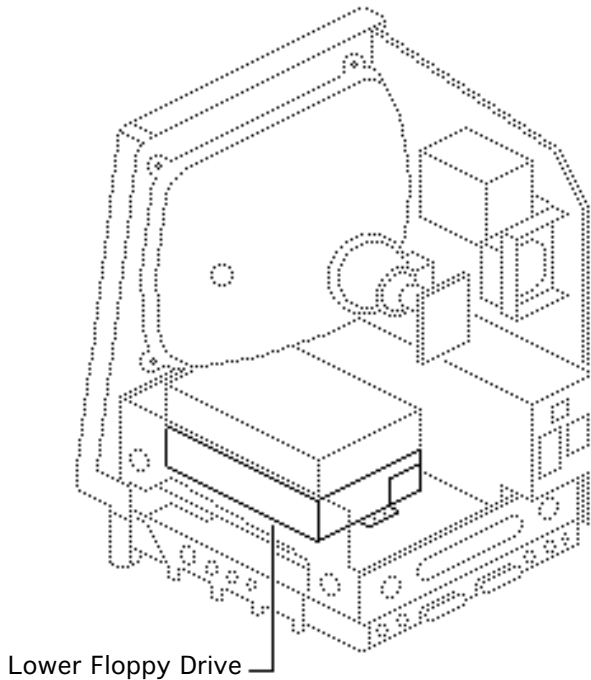


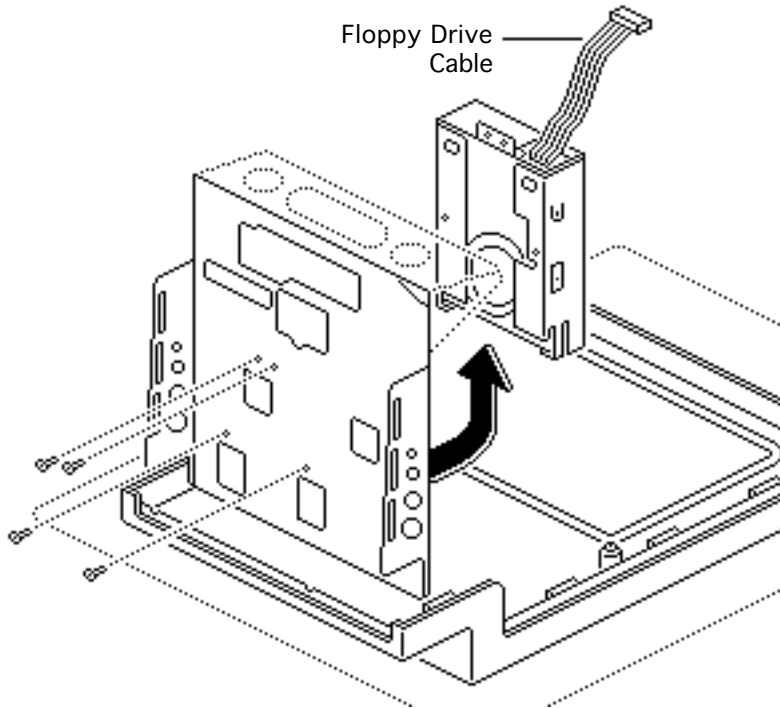


## Lower Floppy Drive

Before you begin,

- Remove the cover
- Discharge the CRT
- Remove the video board
- Remove the upper drive
- Remove the logic board





Remove the four mounting screws and lift out the lower floppy drive. Disconnect and keep the floppy drive cable.

**Replacement Note:** Apple recommends using dust shields on all 1.4 MB floppy drives. All 1.4 MB replacement drives ship with the dust shield installed. If you plan to install a dust shield on an existing 1.4 MB drive, you must first clean the drive (see the Hard Drives manual).

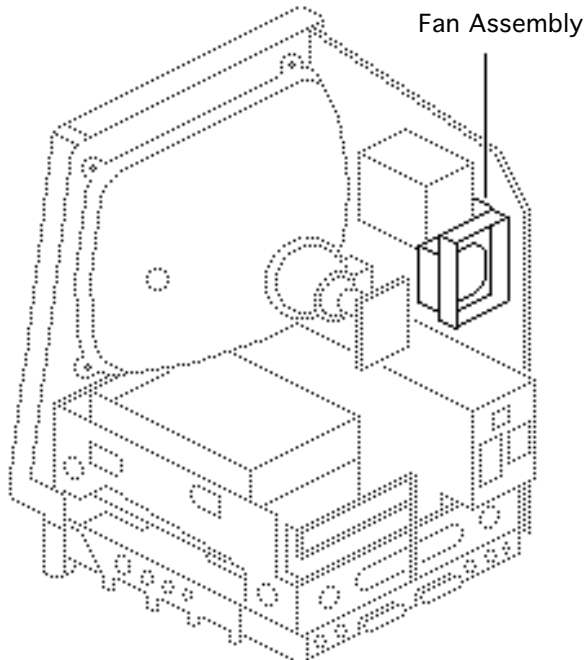




## Fan Assembly

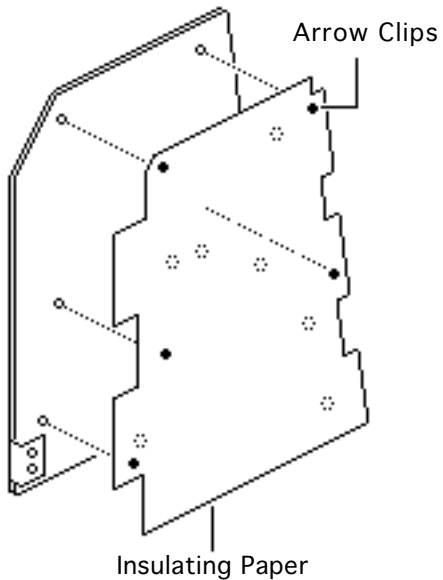
Before you begin,

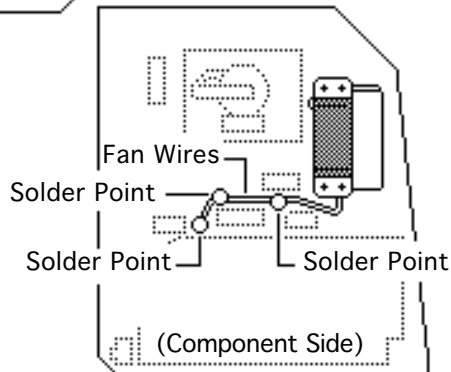
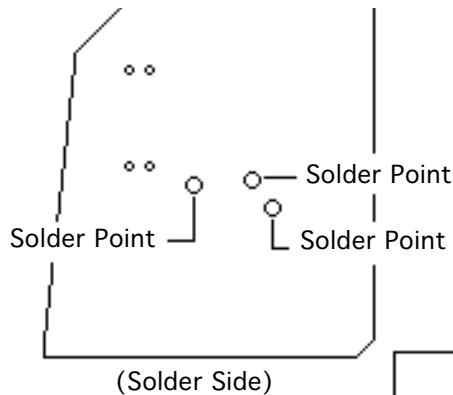
- Remove the cover
- Discharge the CRT
- Remove the video board
- Remove the analog board and power supply.





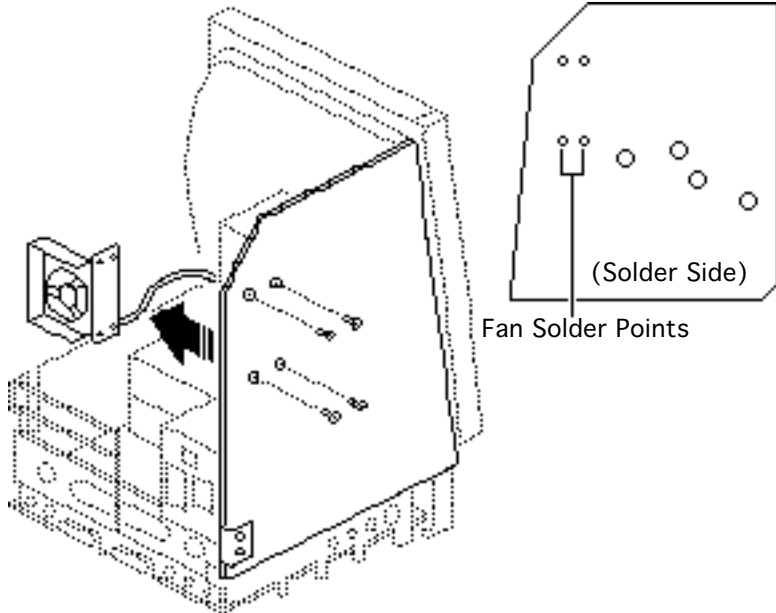
- 1 Compress the arrow clips and remove the insulating paper from the analog board.





- 2 Check the front and back of the analog board for wires connecting the fan to the board. Desolder these wires at their solder points at the back of the analog board. Using a matte knife, cut away any excess solder.





- 3 Remove the four mounting screws and lockwashers and remove the fan assembly from the analog board.

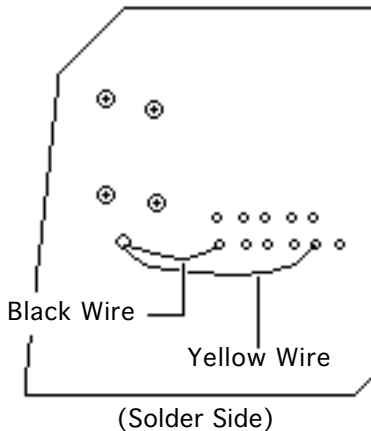
**Note:** On earlier versions of the analog board you may have to desolder the fan itself from the analog board at the solder points shown.





**Replacement Caution:** If you are replacing the fan with the newer axial (round) fan, make sure your customer's system has the redesigned, vertically-mounted video board installed on the CRT. The axial fan does not allow adequate vibration clearance with the old, horizontally-mounted video board.





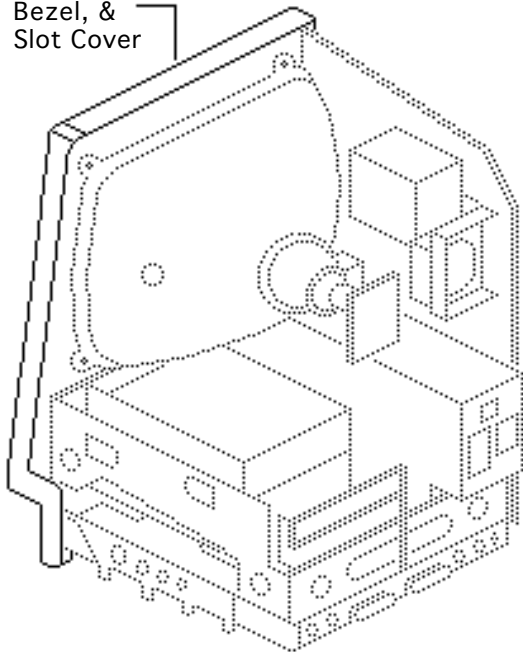
**Replacement Note:** Some replacement fans have a black wire and a yellow wire that must be soldered to the back side of the analog board. Insert these wires through the arrow clip hole in the board and solder them to the points shown.







Speaker,  
Bezel, &  
Slot Cover

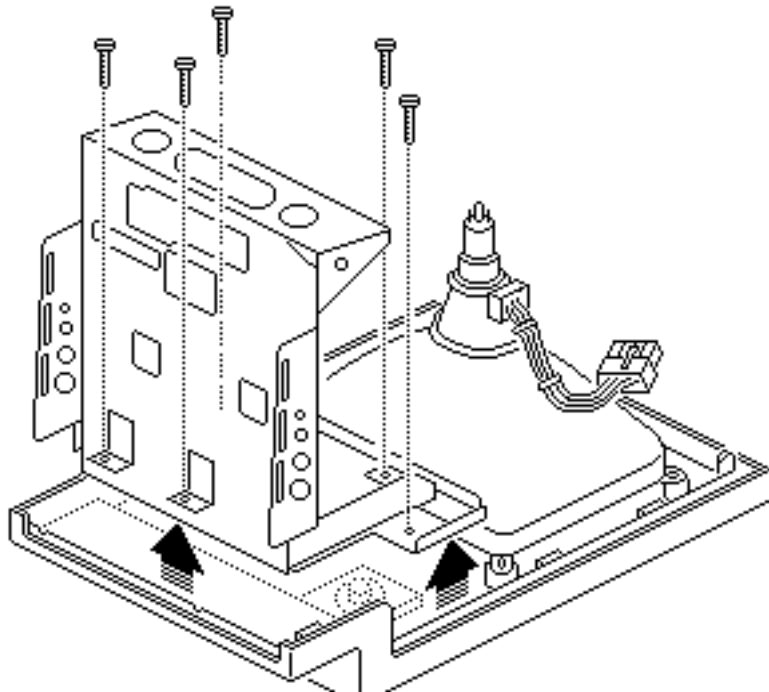


## Speaker, Bezel, & Slot Cover

Before you begin,

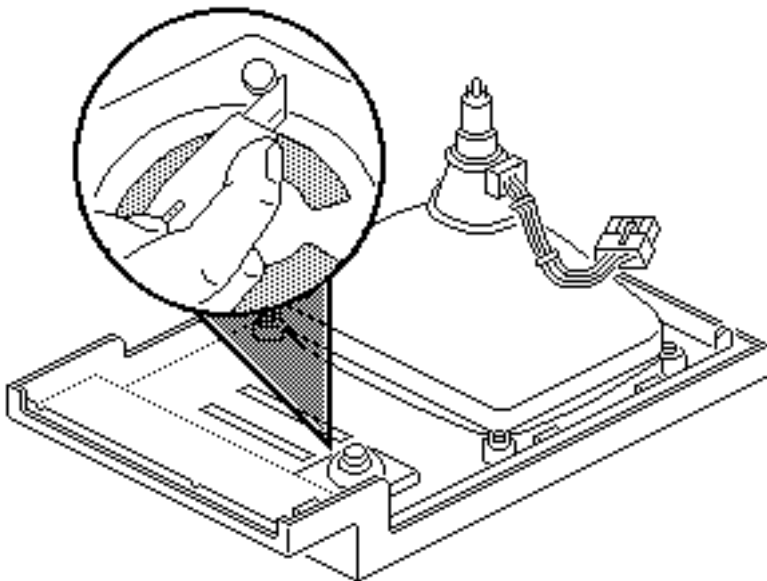
- Remove the cover
- Discharge the CRT
- Remove the video board
- Remove the analog board (only)
- Remove the logic board





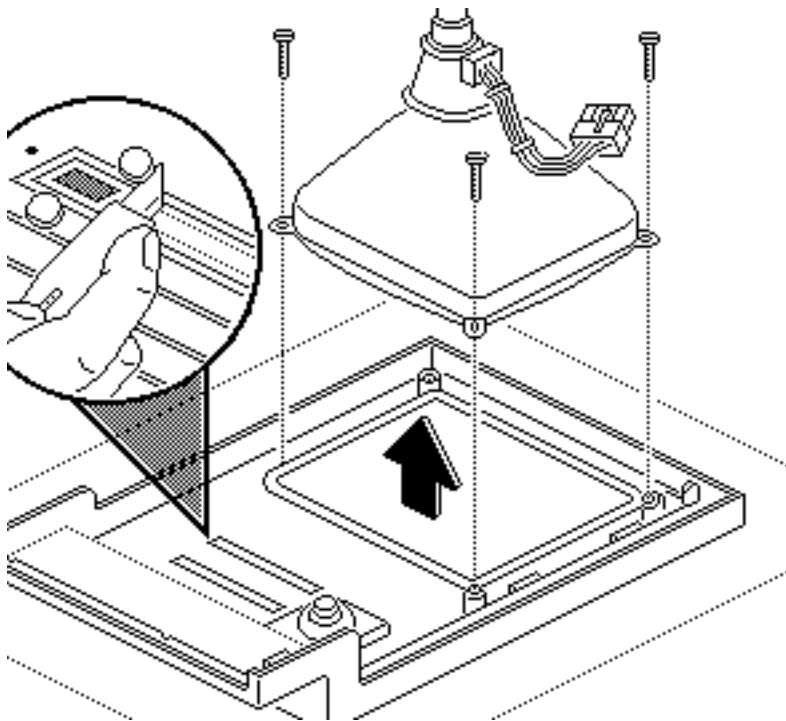
- 1 Remove the five Torx screws and lift the chassis (with attached drives) off the front bezel.





- 2 To remove the speaker, cut away (with a matte knife) the melted plastic that secures the speaker to the inside of the front bezel.
- 3 Lift out the speaker.





- 4 To remove the slot cover, cut away (with an art knife) the melted plastic that secures the slot cover to the inside of the front bezel.
- 5 To remove the front bezel, remove the CRT. (See “CRT” in Take Apart).





Upgrades

Macintosh SE





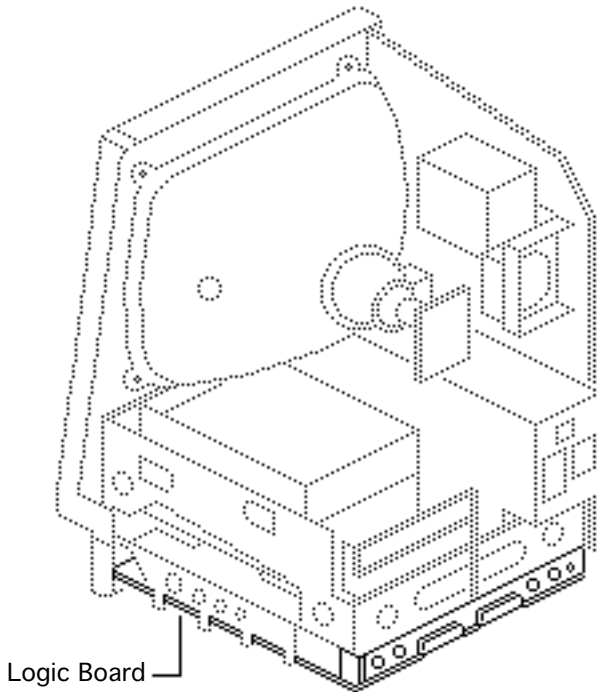
# Memory Upgrade

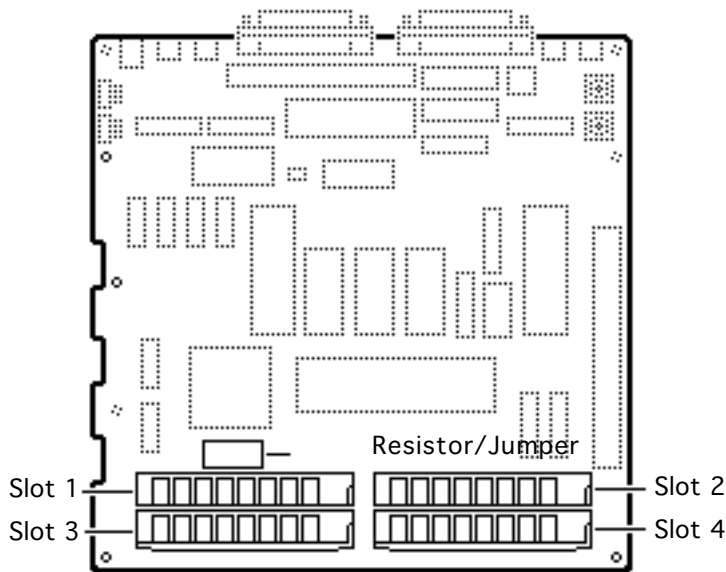
Before you begin,

- Remove the cover
- Discharge the CRT
- Remove the logic board

**⚠ Warning:** This product contains high voltage and a high-vacuum picture tube. To prevent serious injury, review CRT safety in Bulletins/Safety.

**⚠ Warning:** Never use a grounding wriststrap until after discharging the CRT.





**Note:** Two logic boards are available for the Macintosh SE. The original board uses a solder-type resistor to identify system memory configurations; a resistor is installed in R35 for 1 MB and in R36 for 2 MB. The revised logic board uses a jumper to identify system memory.





**Note:** The Macintosh SE requires 150-ns (or faster) SIMMs. RAM speed is indicated by the -xx number after the manufacturer's part number (-15 indicates a 150-ns SIMM).





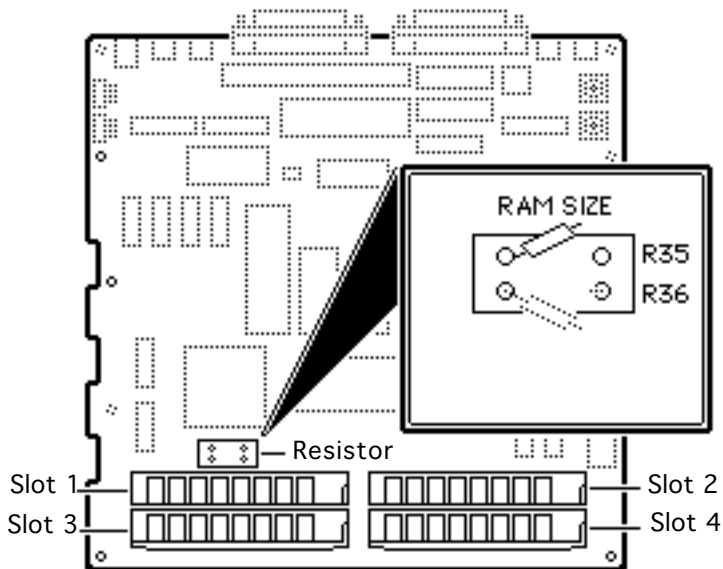


## Logic Board with Resistor

Clip one end of resistor R35 or R36 and move the resistor away from the clipped lead.

### Replacement Note:

Clipping the resistor and moving it away will allow you to retack the resistor in the future.





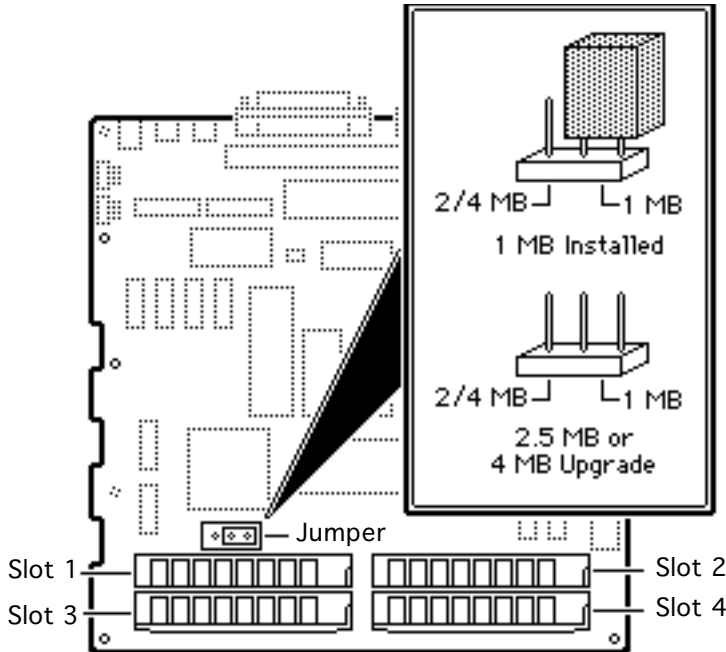
## **2.5 MB Upgrade**

Install two 1 MB SIMMs in slots 1 and 2 and install two 256K SIMMs in slots 3 and 4.

## **4 MB Upgrade**

Install four 1 MB SIMMs in slots 1 through 4.





## Logic Board with Jumper

### 1 MB to 2.5 MB

Remove the two 256K SIMMs from slots 3 and 4. Install two 1 MB SIMMs in slots 3 and 4. Remove the jumper permanently.

### 1 MB to 4 MB

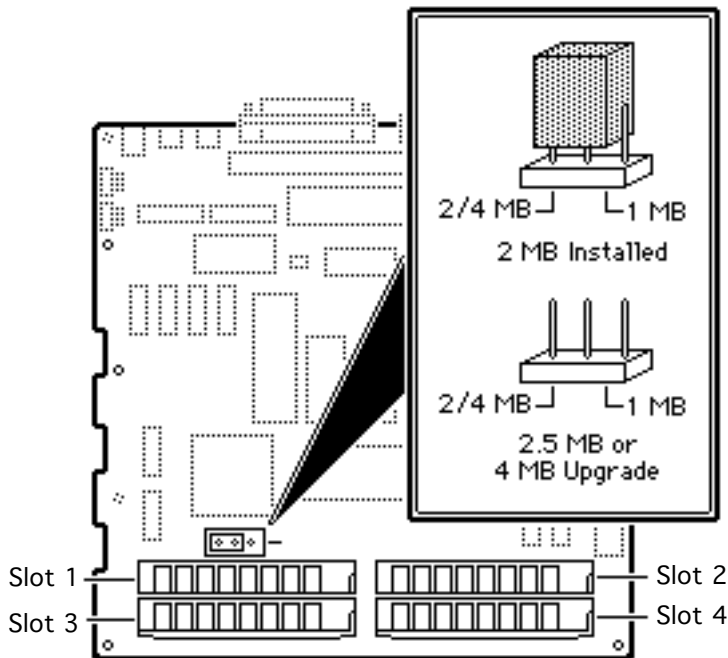
Remove all four 256K SIMMs. Install four 1 MB SIMMs. Remove the jumper permanently.





**Note:** Disregard the jumper label “2/4 M” on the logic board. A 4 MB upgrade requires the removal of the jumper.





## 2 MB to 2.5 MB

Install two 256K SIMMs in slots 1 and 2. Remove the jumper permanently.

## 2 MB to 4 MB

Install two 1 MB SIMMs in slots 1 and 2. Remove the jumper permanently.

**Note:** Disregard the jumper label “2/4 M” on the logic board. A 4 MB upgrade requires the removal of the jumper.

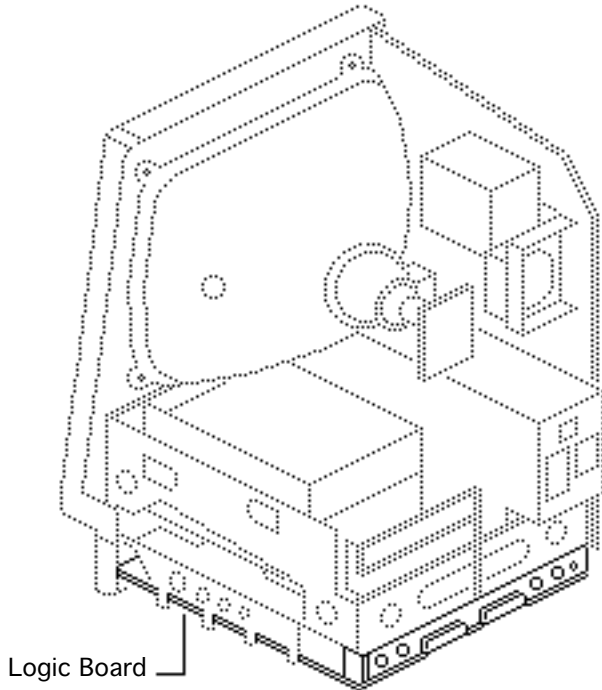




## Logic Board Upgrade

Before you begin,

- Remove the cover
- Discharge the CRT
- Remove the video board
- Remove the logic board
- Remove the analog board (only)
- Remove the upper drive
- Remove the CRT
- Remove the bezel





**⚠ Warning:** This product contains high voltage and a high-vacuum picture tube. To prevent serious injury, review CRT safety in Bulletins/Safety.

**Caution:** After discharging the CRT, wear a grounding wriststrap to prevent ESD damage to components.

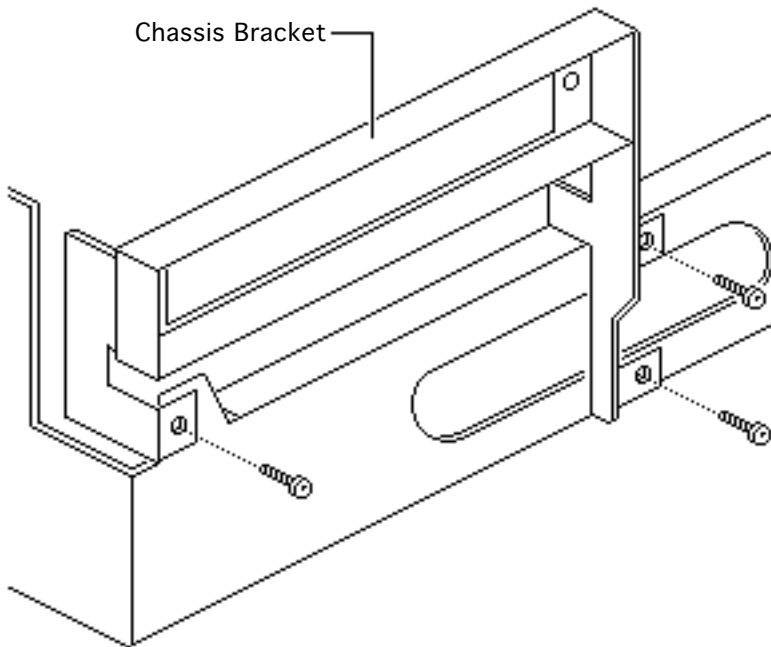




**Note:** The Logic Board Upgrade Kit for the Macintosh SE includes the SE/30 logic board, a new bezel, a ferrite bead and tie-wrap for EMI protection, a new chassis and bracket, a new RFI shroud, two labels, and a return sheet that you must fill out and return to Apple with the SE logic board.





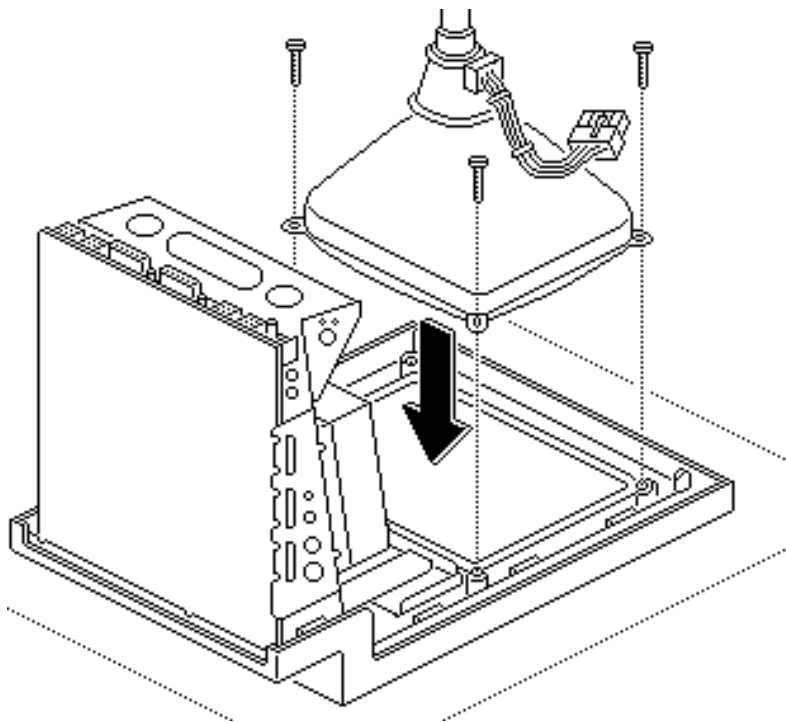


**Note:** The SE/30 logic board requires a minimum of four identical RAM SIMMs. Customers whose Macintosh SE systems have 2.5 MB or less of RAM must purchase additional RAM SIMMs.

**Note:** The new chassis comes in two pieces (a chassis and a bracket) that you must assemble before installation.

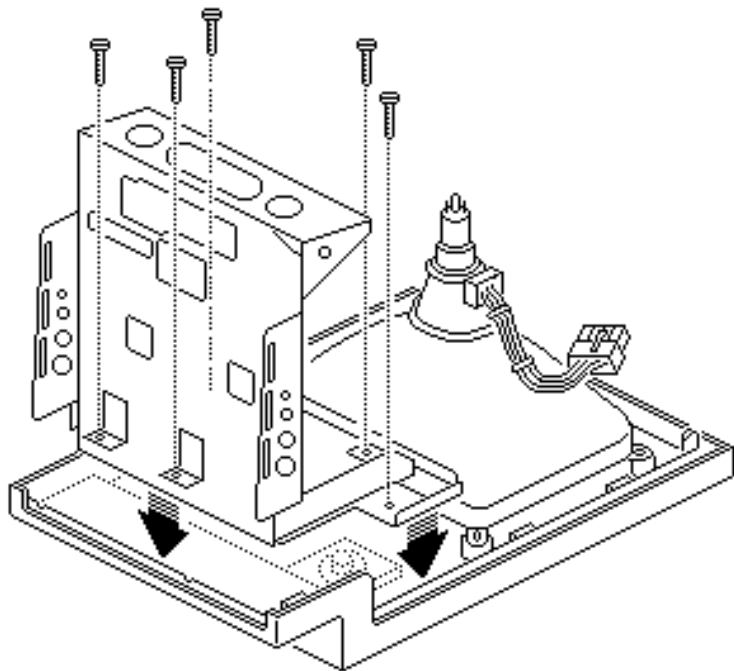
- 1 Install the bracket on the chassis with three mounting screws.





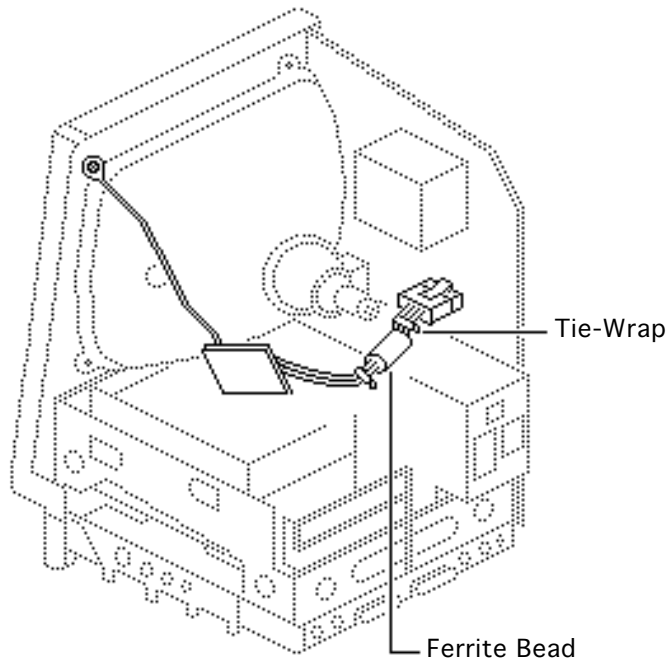
- 2 Install the CRT on the new bezel with three Torx screws.
- 3 Remove the lower floppy drive from the old chassis and install it on the new chassis. Refer to “Lower Floppy Drive” in Take Apart.





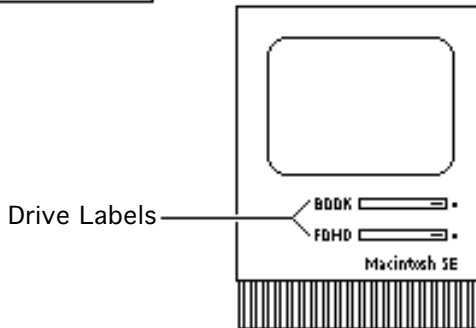
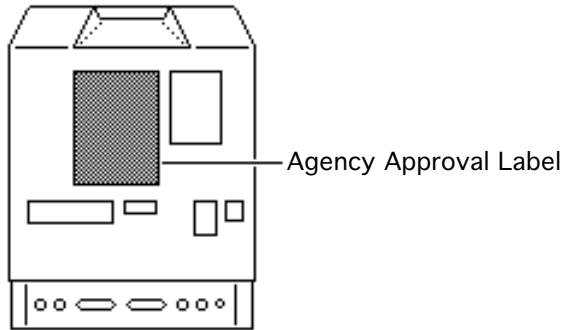
- 4 Install the new chassis on the new bezel with five Torx screws.
- 5 Install the hard drive or upper floppy drive on the new chassis. Refer to “Hard Drive” or “Upper Floppy Drive” in Take Apart.
- 6 Replace the analog board. Refer to “Analog Board” in Take Apart.
- 7 Install the new SE/30 logic board. Refer to “Logic Board” in Take Apart.





- 8 Clasp the clip-on ferrite bead around the video board cable as near the video board connector as possible. Secure the ferrite bead near the connector with tie-wraps.
- 9 Replace the video board. Refer to “Video Board” in Take Apart.
- 10 Install the new insulating shroud over the bottom of the SE and replace the cover. Refer to “Cover” in Take Apart.





- 11 Attach the agency approval label over the previous agency label on the back of the cover.
- 12 Attach the appropriate drive label in the groove to the left of the disk drive slot on the new bezel.
- 13 Install system software (6.03 or later) and run diagnostics on the upgraded unit.

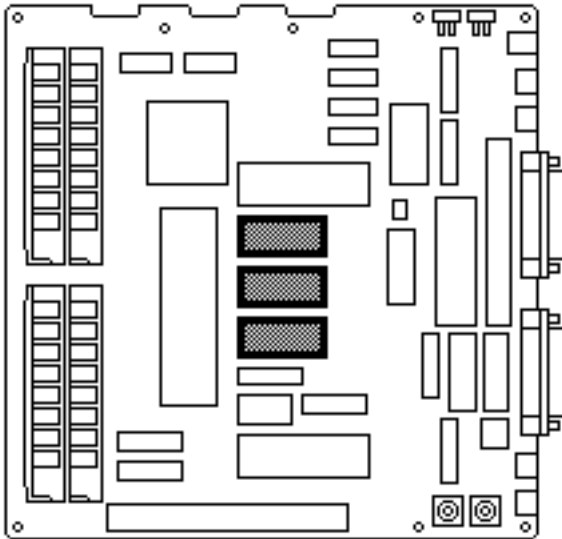




## 1.4 MB Drive Upgrade

Before you begin,

- Remove the cover
- Discharge the CRT
- Remove the video board
- Remove the hard drive or upper floppy drive
- Remove the logic board
- Remove the lower floppy drive





**⚠ Warning:** This product contains high voltage and a high-vacuum picture tube. To prevent serious injury, review CRT safety in Bulletins/Safety.

**⚠ Warning:** Never use a grounding wriststrap until after discharging the CRT.

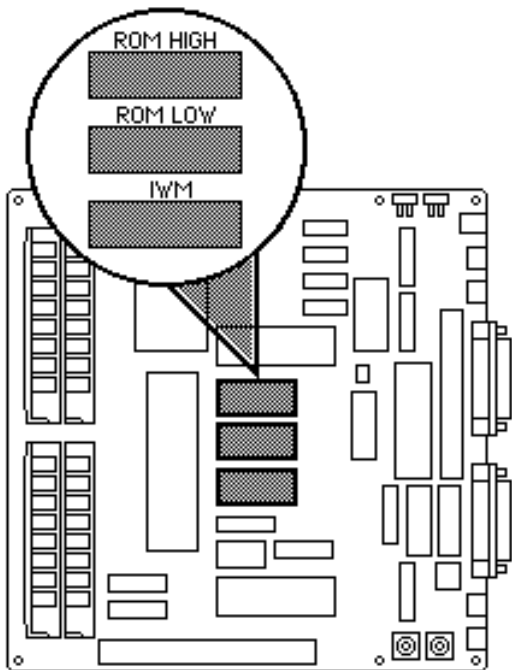




**Note:** The 1.4 MB SuperDrive Upgrade Kit available for the Macintosh SE includes two new ROMs, a SWIM disk controller chip, an audio extension cable for reducing EMI interference, the new 1.4 MB SuperDrive, system software, two labels, and an Apple product return form.



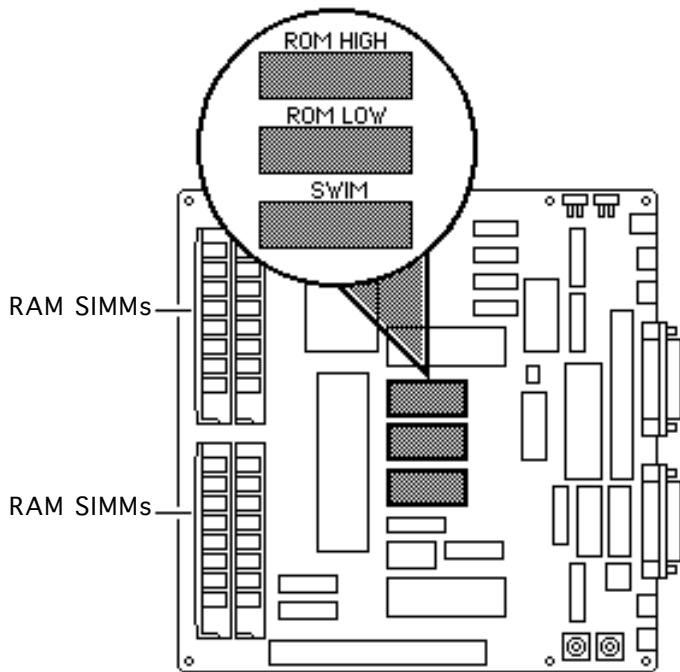




**Note:** The 1.4 MB SuperDrive must be used with system software version 6.0.3 or higher or the Macintosh SE mistakes the high-density drive for an 800K mechanism.

- 1 Using an IC extractor, remove the IWM chip and two ROM chips from the logic board.





2 Install the SWIM chip and two new ROM chips on the logic board as follows:

- SWIM (344-0062) at D8
- High ROM (342-0701) at D6
- Low ROM (342-0702) at D7

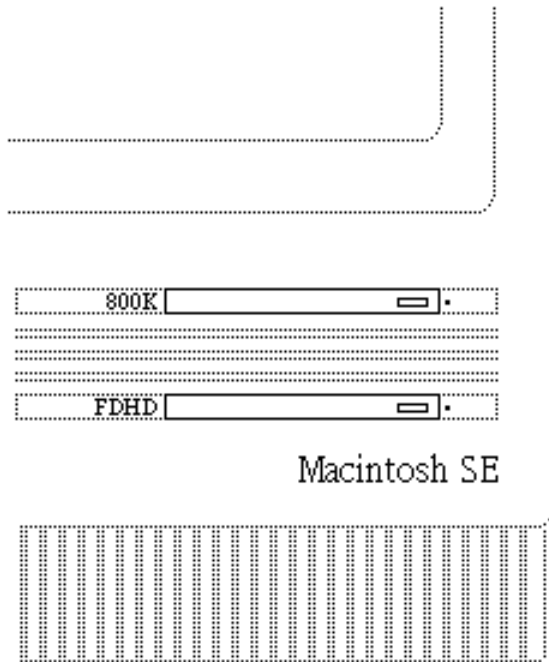
**Note:** The notch at one end of the SWIM chip and each ROM chip must face toward the RAM SIMMs.





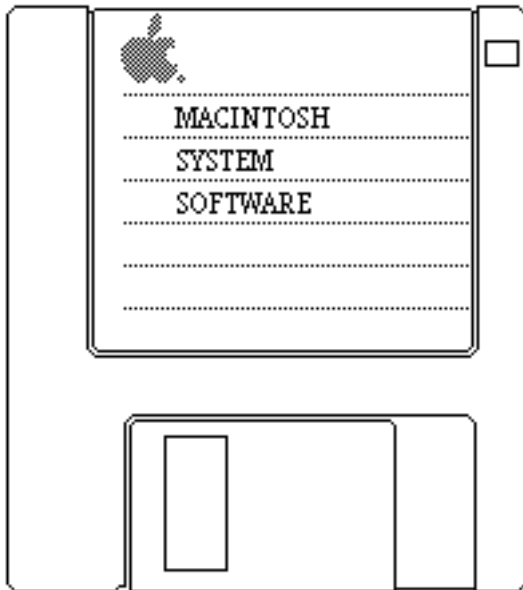
- 3 Install the lower floppy drive (the new 1.4 MB drive). Refer to “Lower Floppy Drive” in Take Apart.
- 4 Replace the logic board. Refer to “Logic Board” in Take Apart.





- 5 Replace the hard drive or upper floppy drive. Refer to “Hard Drive” or “Upper Floppy Drive” in Take Apart.
- 6 Replace the video board and the cover. Refer to “Video Board” and “Cover” in Take Apart.
- 7 Place the high density drive label in the groove next to the lower drive slot. If appropriate, place a second floppy drive label next to the upper drive slot.





**Note:** The high density drive label may read “FDHD,” “1.4 MB,” or “SuperDrive.”

- 8 If necessary, install system software (6.03 or higher) and run diagnostics.
- 9 Fill out the Apple product return form and return it to Apple with the two ROM chips and the IWM chip.





**Note:** Give the customer the audio extension cable and explain its use. To reduce EMI interference, the customer must install the audio extension cable with the ferrite bead between the audio cable and the audio jack at the rear of the computer.





## Additional Procedures

---

Macintosh SE



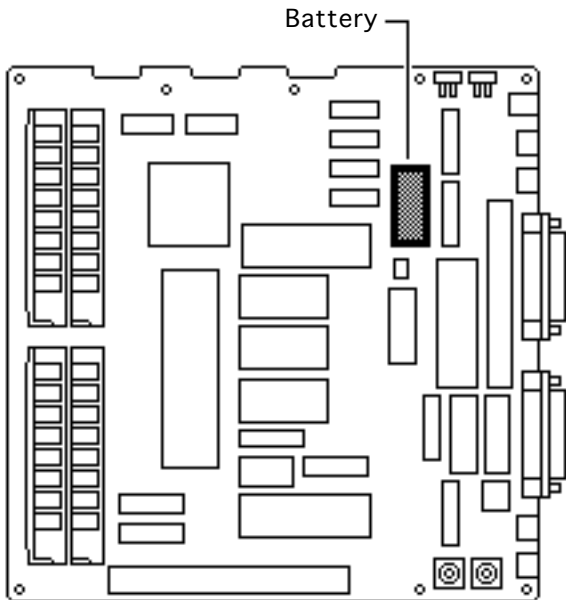


## Battery Verification

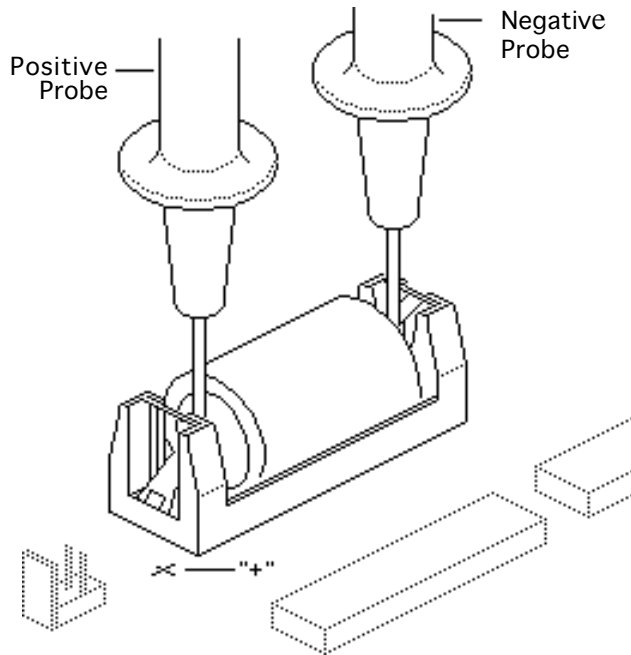
Before you begin,

- Remove the cover
- Discharge the CRT
- Remove the logic board

**⚠ Warning:** If handled or discarded improperly, the lithium battery in the Macintosh SE/30 could explode. Review battery handling and disposal instructions in Bulletins/ Safety.







**⚠ Warning:** Never use a grounding wriststrap until after discharging the CRT.

- 1 Set the voltmeter to the 10 volts DC scale.
- 2 Hold the positive probe of the voltmeter to the positive end of the battery and the negative probe to the negative end of the battery.
- 3 If the battery voltage is below 2.8 volts, replace the battery. Refer to "Battery Replacement" in this chapter.



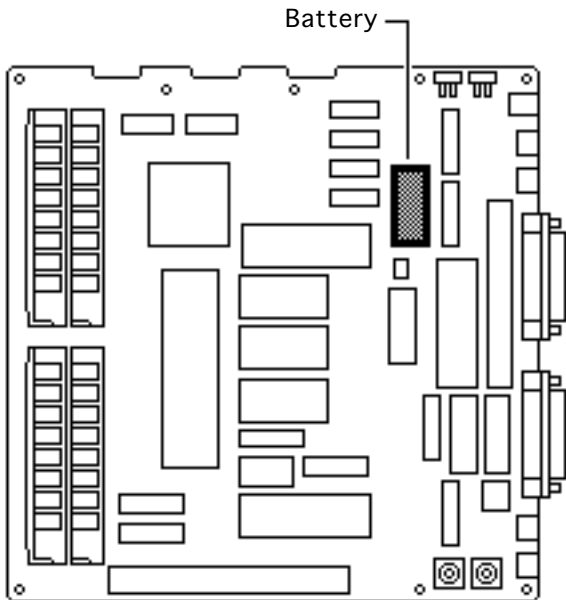


## Battery Replacement

Before you begin,

- Remove the cover
- Discharge the CRT
- Remove the logic board

**⚠ Warning:** If handled or discarded improperly, the lithium battery in the Macintosh SE/30 could explode. Review battery handling and disposal instructions in *Bulletins/Safety*.





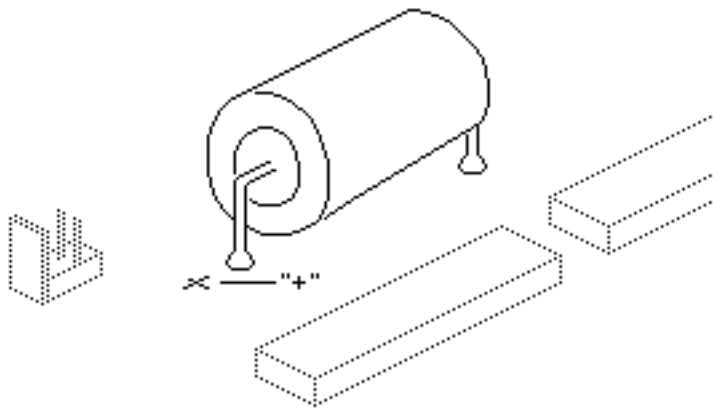
**Caution:** Never use a grounding wriststrap until after discharging the CRT.





## Soldered Battery

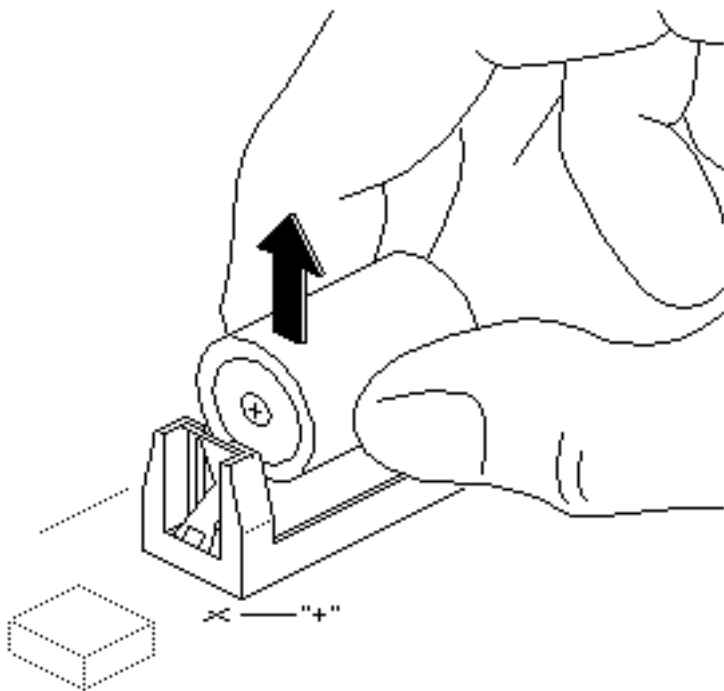
- 1 Using wire clippers, cut the battery leads at both ends of the battery. Cut the leads as close to the logic board as you can without touching the board.
- 2 Return the battery to Apple for proper disposal. For battery packaging and labeling information, refer to the instructions in Bulletins/Safety.





## Battery in a Battery Holder

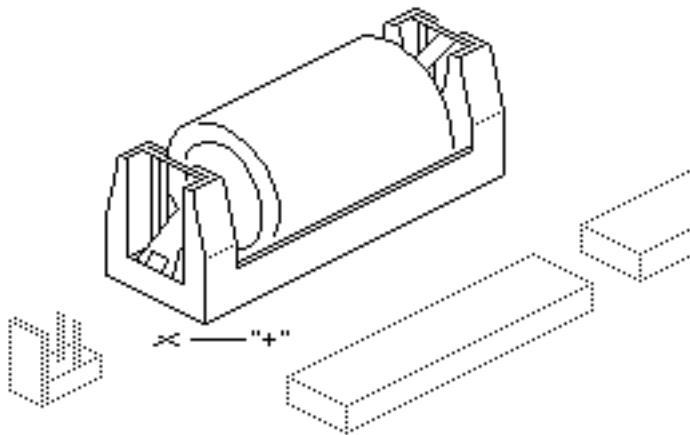
- 1 Pull the battery out of the battery holder.
- 2 Return the battery to Apple for proper disposal. For battery packaging and labeling information, refer to the instructions in Bulletins/Safety.





**Replacement Note:** When replacing the new battery, orient it so that the end marked “+” matches the “+” on the logic board.

**Replacement Note:** On solder-type logic boards, insert the leads of the new battery into the extra set of mounting holes just inside the original mounting holes.

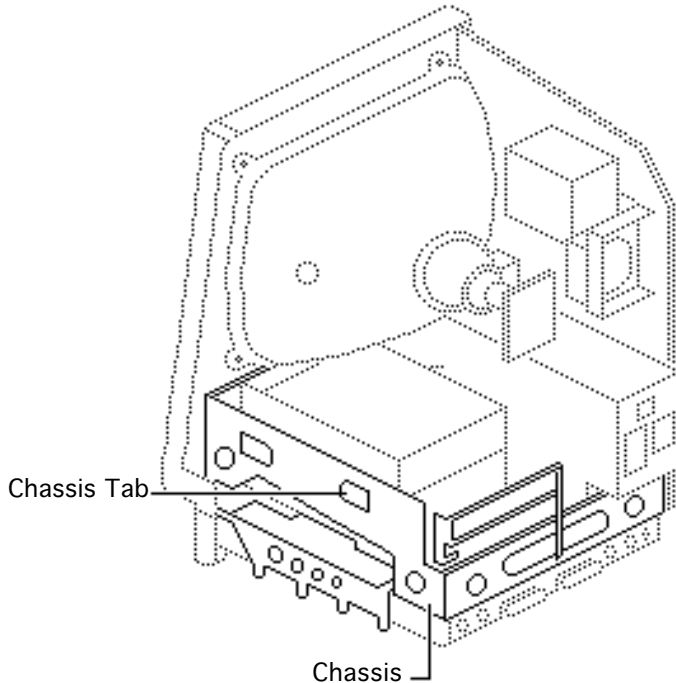


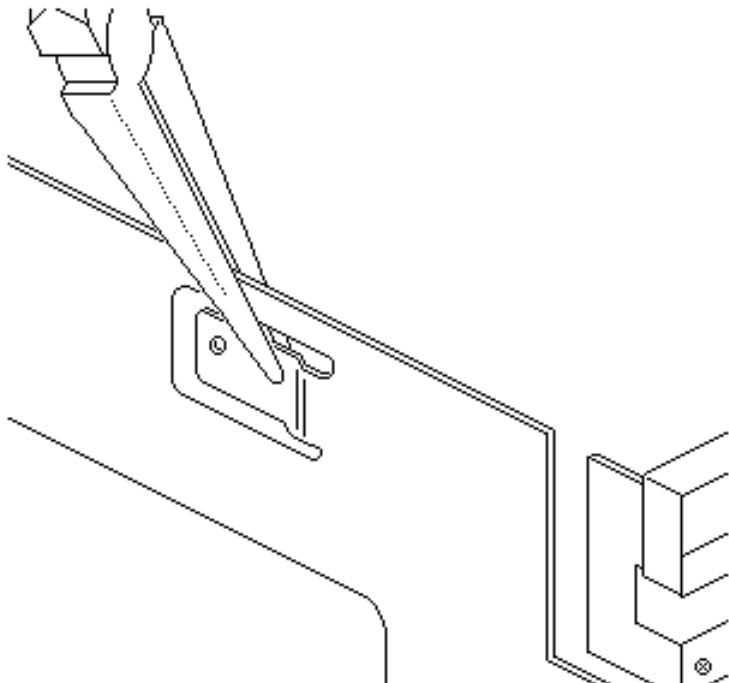


## Chassis Tab Modification

Before you begin, remove the cover.

**Note:** The chassis on some Macintosh SE computers has protruding tabs that may interfere with the installation of some third-party cards. If you encounter this problem, perform the chassis tab modification procedure.

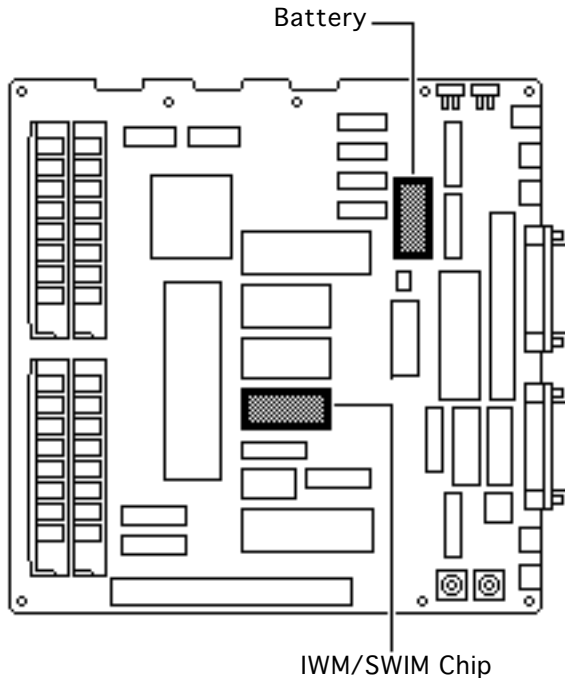




Using pliers, bend the tab nearest the rear of the chassis until the tab is flush with the side panel.







## Identifying SE Logic Boards

Before you begin,

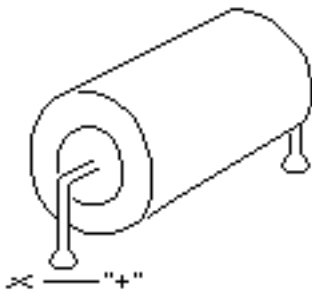
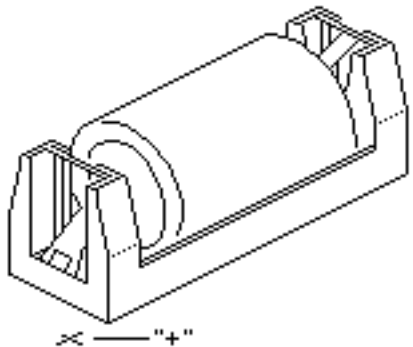
- Remove the cover
- Discharge the CRT
- Remove the logic board





Two logic boards are available as exchange modules for the Macintosh SE. If you are replacing the logic board of an SE that was originally shipped with a 1.4 MB SuperDrive, use logic board 661-0536. If you are replacing the logic board of an SE that was originally shipped with an 800K floppy drive, or an SE that has been upgraded to use a 1.4 MB SuperDrive, use replacement logic board 661-0526.

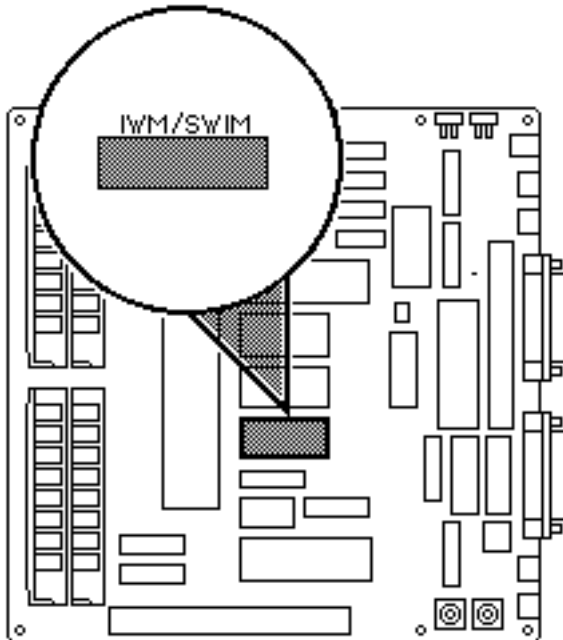




Follow these guidelines to help identify the correct exchange module:

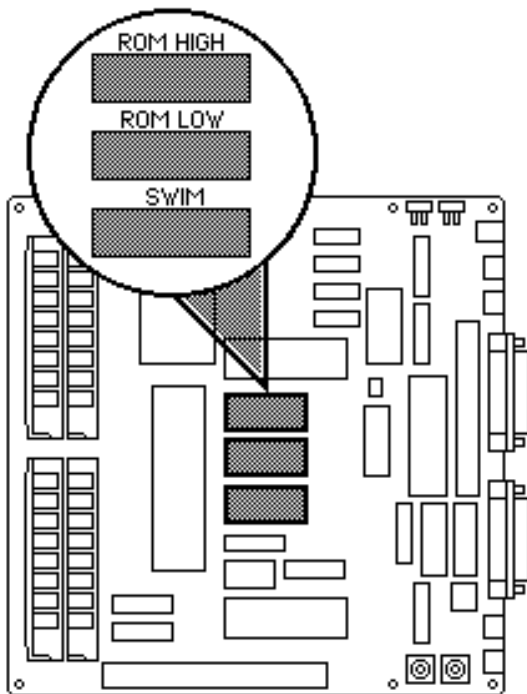
- If the customer's battery is installed in a battery holder, use replacement logic board 661-0536.
- If the customer's battery is soldered to the logic board, check the part number on the customer's disk controller chip. (See the following procedure.)





- If the disk controller is an IWM chip (the part number is not 344-0062), use replacement logic board 661-0526.
- If the disk controller is a SWIM chip (part number 344-0062), use replacement logic board 661-0526 and swap the customer's SWIM chip and ROM chips for the IWM chip and ROM chips on the replacement board. (See the following procedure.)





**Note:** Failure to transfer the customer's SWIM chip and upgraded ROM chips to the replacement logic board will prevent a 1.4 MB SuperDrive from using high-density media.

- 1 Using an IC extractor, remove these chips from the customer's logic board and install them on the replacement logic board:
  - SWIM (344-0062) at D8
  - High ROM (342-0701) at D6





- Low ROM (342-0702) at D7

**Note:** The notch at one end of the SWIM chip and each ROM chip must face toward the RAM SIMMs.

- 2 Return the ROMs and IWM chip to Apple on the faulty logic board.



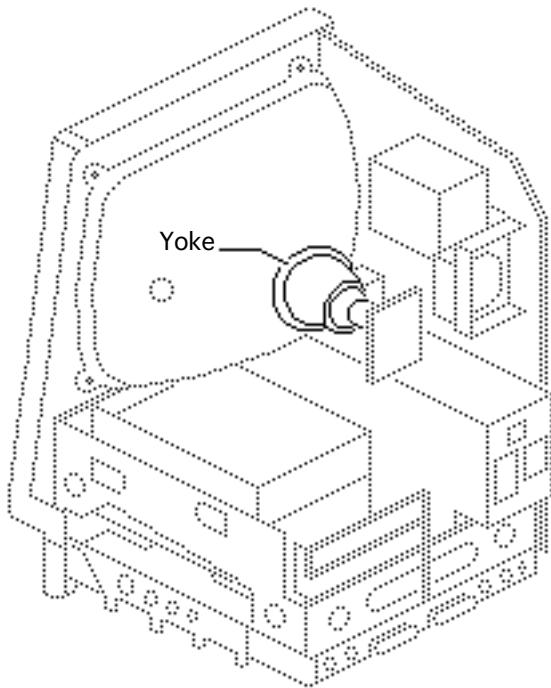


Adjustments

---

Macintosh SE





## Yoke

Before you begin,

- Remove the cover
- Discharge the CRT

**⚠ Warning:** This product contains high voltage and a high-vacuum picture tube. To prevent serious injury, review CRT safety in Bulletins/Safety.







**Warning:** Because you must make yoke adjustments from the rear of the computer, use a mirror to view the computer screen. Do not reach around the computer to adjust collars and rings.

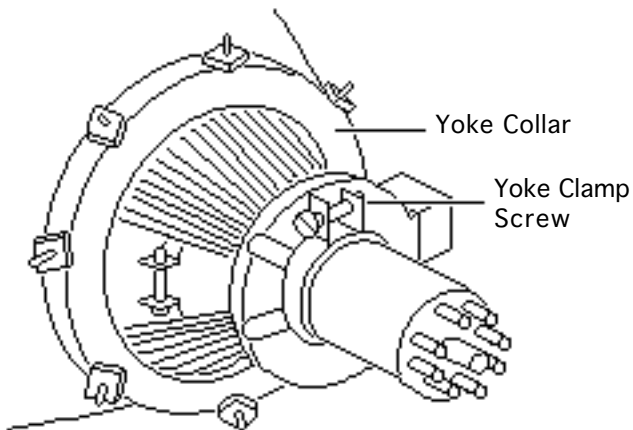
**Note:** If you replace the CRT, you will probably need to adjust the yoke.





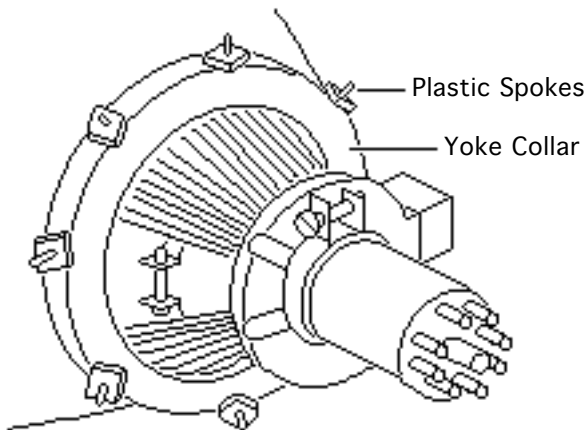
## Tilt Adjustment

**Note:** If glue is holding the yoke collar in place, cut through the glue using an art knife.



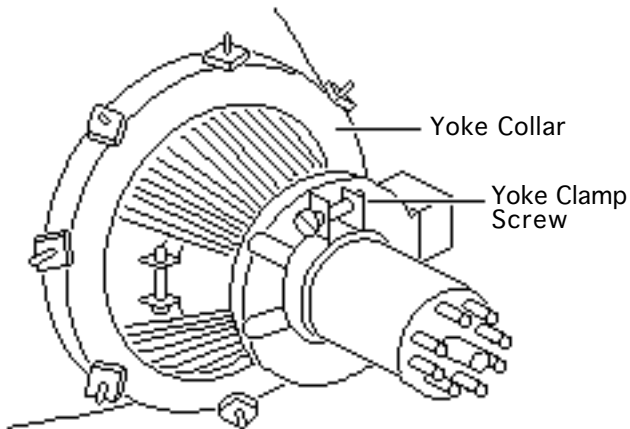
- 1 Loosen the yoke clamp screw two or three turns.
- 2 Switch on the computer.





- 3 With one hand, grasp the plastic spokes of the yoke collar, and rotate the yoke collar until the top and bottom edges of the picture are parallel with the top and bottom of the bezel.





- 4 Switch off and unplug the computer.
- 5 Discharge the CRT.
- 6 Hold the plastic collar in position and carefully tighten the yoke clamp screw so that the collar cannot slip. Do not overtighten the screw.
- 7 Replace the cover and switch on the computer. Make sure the top and bottom edges of the picture are parallel with the top and bottom of the bezel.

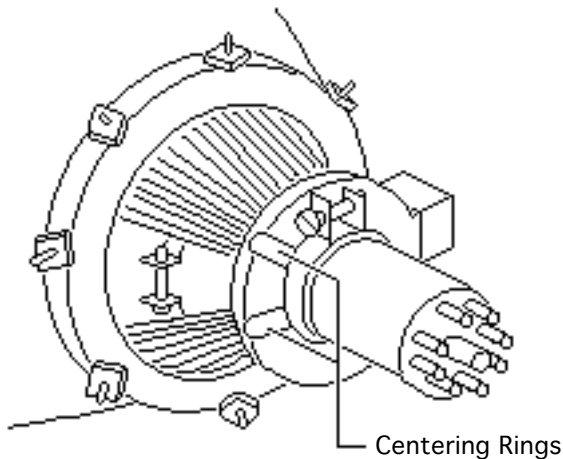


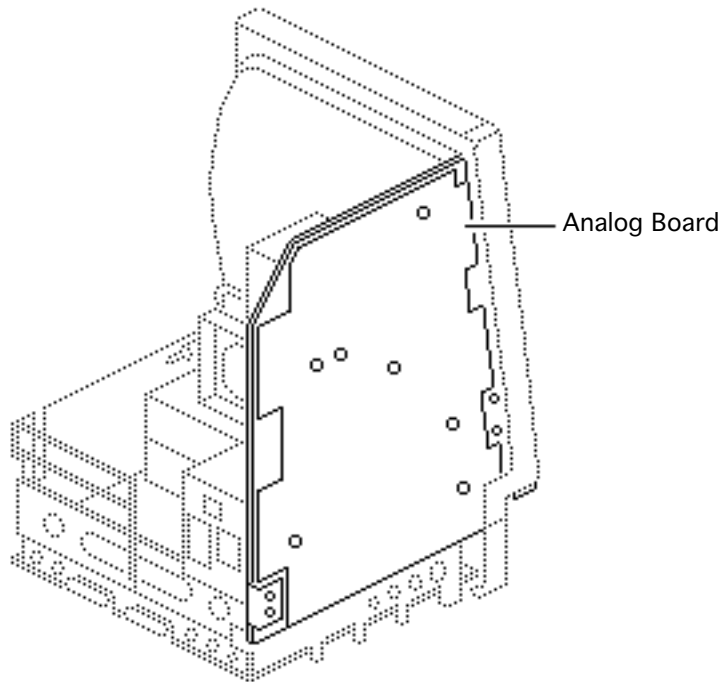


## Centering Ring Adjustment

**Note:** If glue holds the yoke collar in place, use an art knife to cut through the glue.

- 1 Switch on the computer.
- 2 To center the picture within the bezel: Hold the front centering ring steady and move the rear ring; then hold the rear centering ring steady and move the front ring.





## Video

Before you begin, remove the cover.

**⚠ Warning:** This product contains high voltage and a high-vacuum picture tube. To prevent serious personal injury or equipment damage, review the CRT safety instructions in Bulletins/Safety.





**Warning:** Because you must make video adjustments from the rear of the computer, use a mirror to view the computer screen. Do not reach around the computer to adjust the controls.

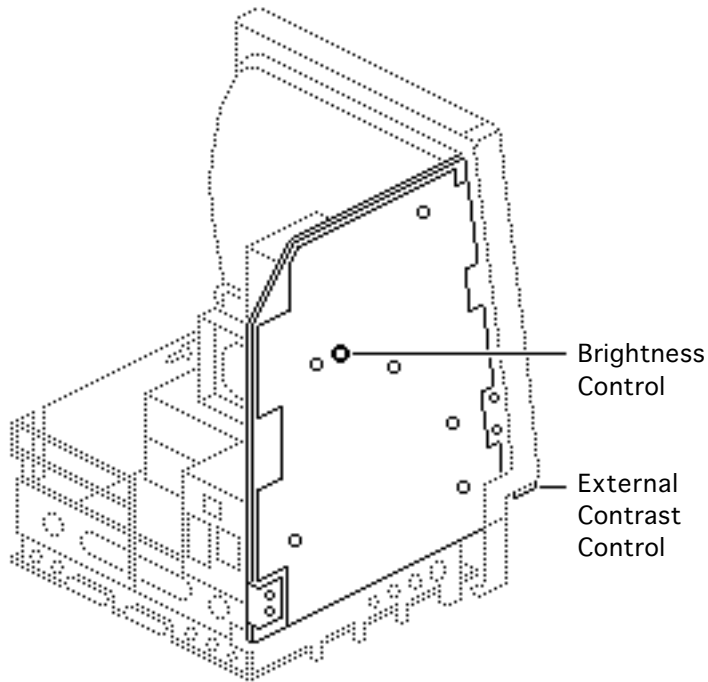
**Note:** You may need to perform video adjustments after you replace the CRT, analog board, video board, or power supply. The video adjustment controls are located on the analog board.





## Brightness and Contrast

- 1 Turn the external contrast control fully clockwise.
- 2 Using the plastic alignment tool, adjust the brightness control counterclockwise so that white lines are visible on the screen. Turn the brightness control clockwise until the white lines just disappear.

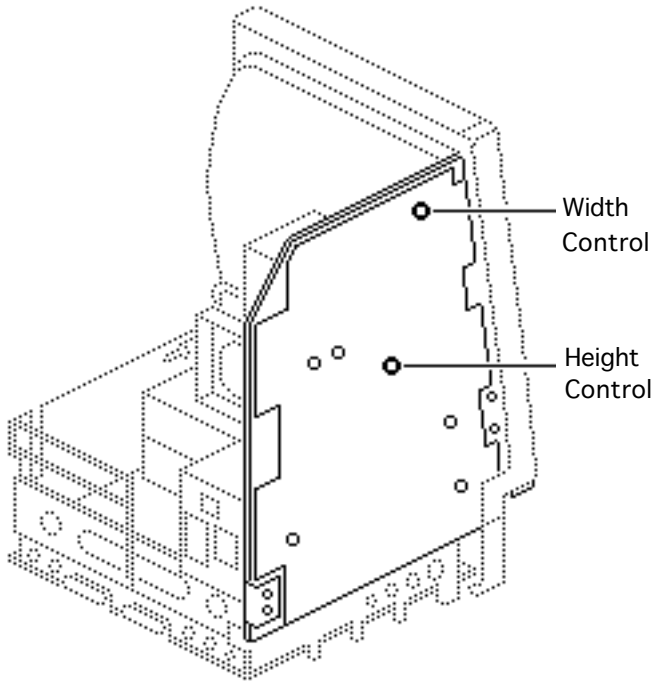






- 3 Turn the brightness control counterclockwise slightly.

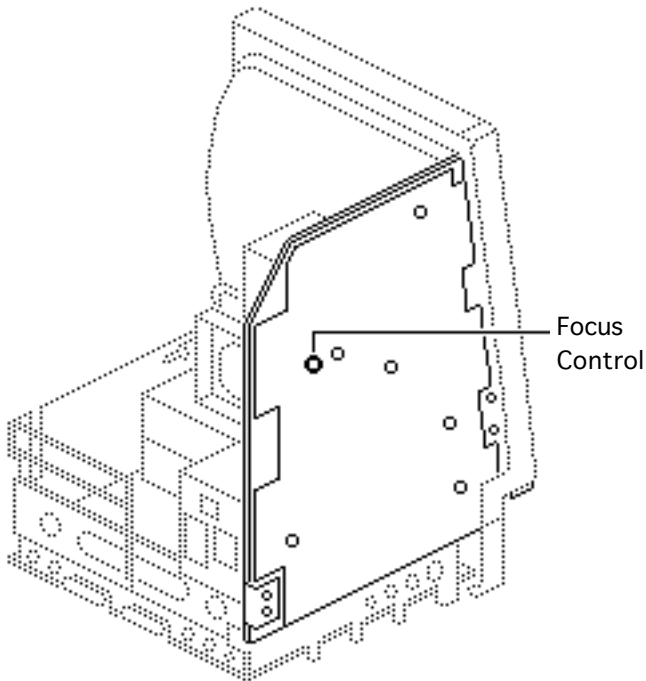




## Size Adjustments

- 1 Using the plastic hex alignment tool, adjust width until the raster is 7 inches wide.
- 2 Using the plastic hex alignment tool, adjust the height until the raster is 4.7 inches high.





## Focus

Turn the focus control fully clockwise, then turn the focus control counter-clockwise one-eighth of a turn.





Exploded View

---

Macintosh SE





# Exploded View

